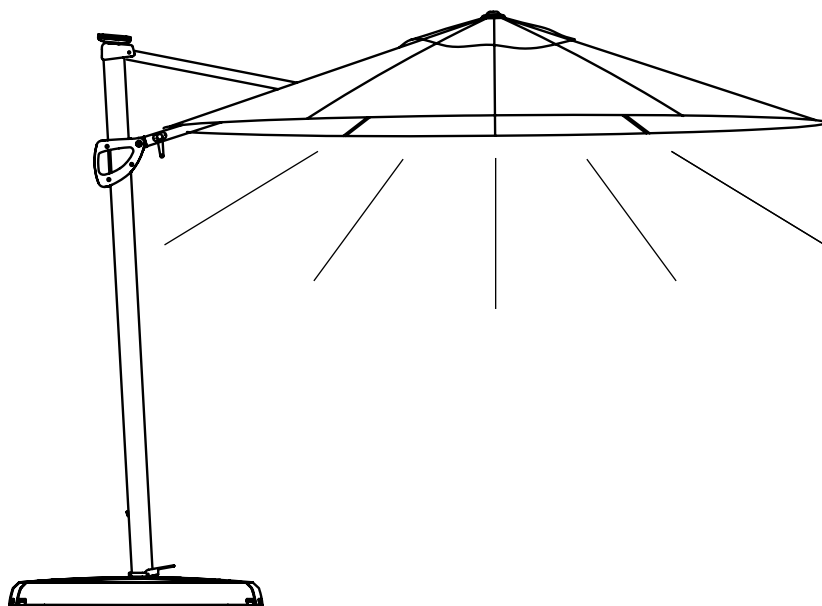


KETTLER

3.3 m LED Free Arm Parasol

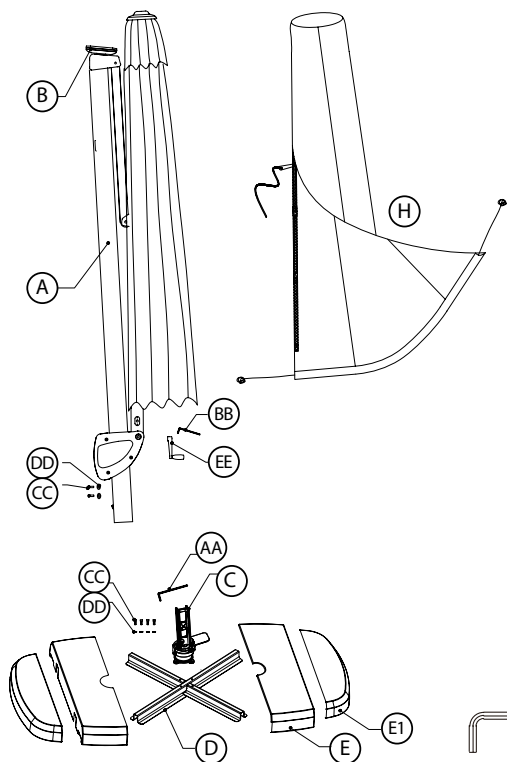
PL33



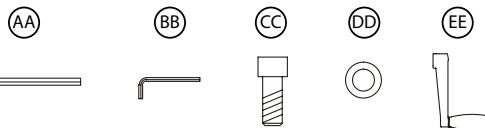
IMPORTANT

PLEASE KEEP THIS BOOKLET FOR FUTURE REFERENCE.
THIS IS IMPORTANT INFORMATION REGARDING THE USE AND
CARE OF YOUR GARDEN FURNITURE.

Parts List



Part	Description	Qty
A	Parasol	1
AA	Large Allen Key	1
B	Solar Panel	1
BB	Small Allen Key	1
C	Rotating Hub	1
CC	Bolt	6
D	Metal Stand	2
DD	Washer	6
E	Plastic Base Interior	2
E1	Plastic Base Exterior	2
EE	Crank Handle	1
FF	Base Plug	4
G	Pole Cap	1
H	Protective Cover	1

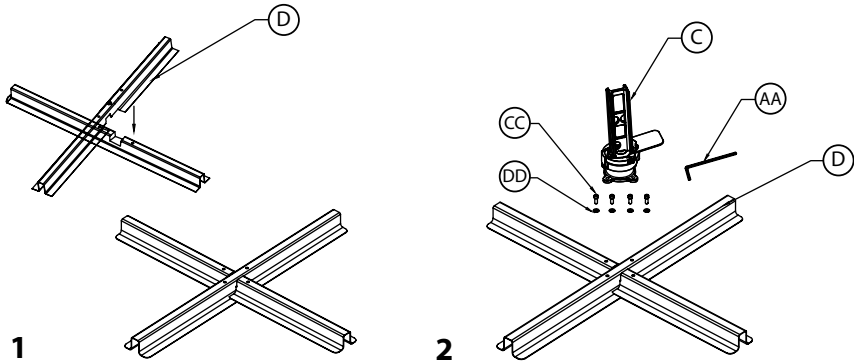


Helpful advice before you begin:

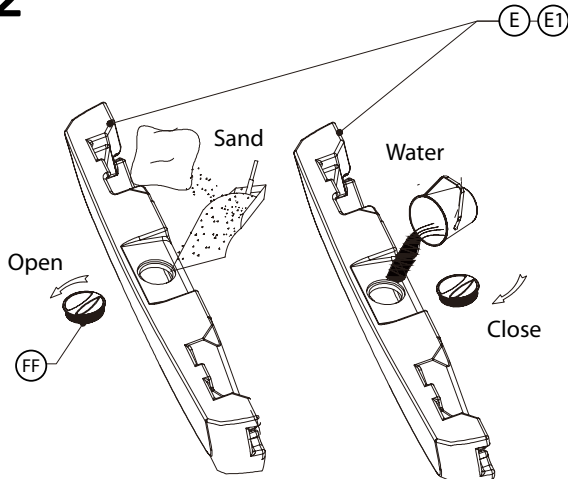
1. We suggest you spend a short time reading through this leaflet and then follow the simple step by step instructions.
2. Do not discard any of the packaging until you have checked that you have all the parts and the pack of fittings.
3. Assemble this product on a soft surface.
4. To ensure an easier assembly, we strongly advise that all fittings are only finger tightened during initial assembly. Only upon completion of the assembly should all fixing points be fully tightened.
5. Keep fittings out of children's reach.
6. Do not use any other tools other than those recommended to build this product.
7. Please do not use substitute parts. Use only additional or replacement parts supplied by Kettler.
8. In the unlikely event that this product has missing or damaged parts, please visit our website www.kettler.co.uk

Assembly

1



2



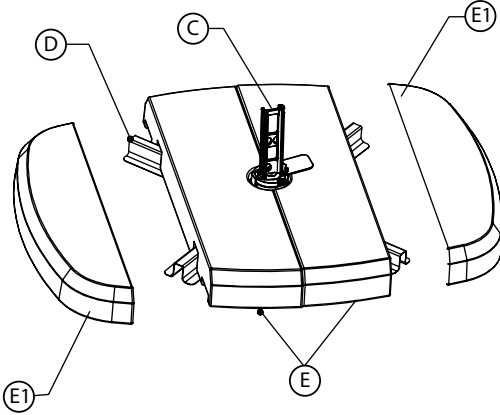
Position the base in the correct space before filling with water and sand.



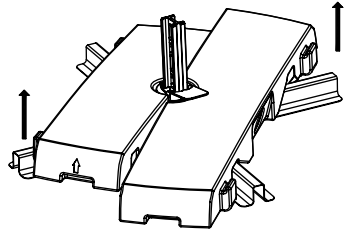
Each section of the base requires 20kg of sand and then needs to be topped up with water. Water alone will not support the base.

Assembly

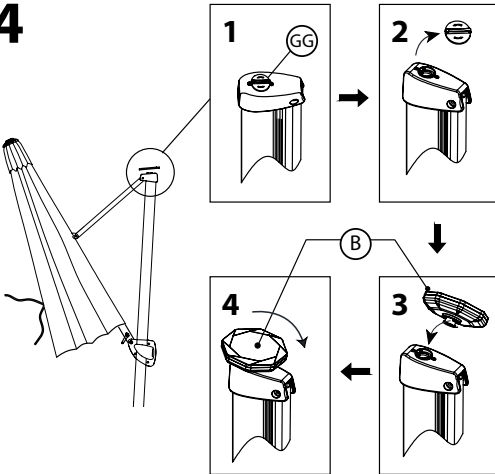
3



You may need to re-position the pedal at this stage to fit the base sections together.



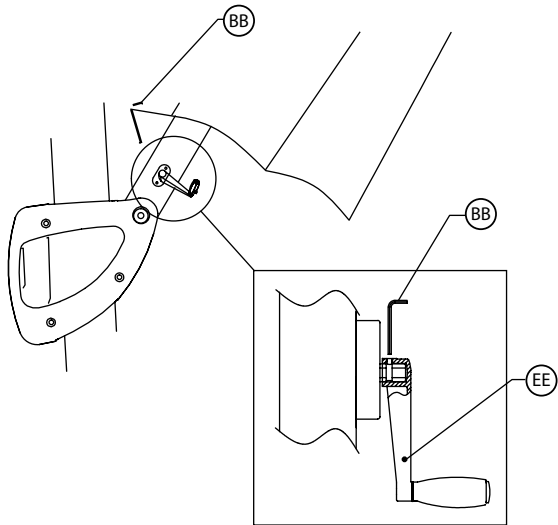
4



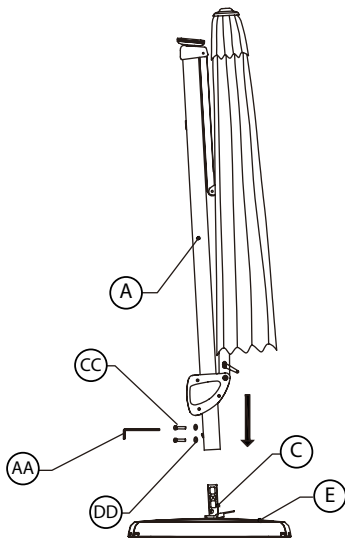
The solar panel clicks in and twists. The solar panel will require 8 hours of sunlight to become fully charged. To charge from flat the solar lights will be required to be switched off. When the solar panel is not in regular use, remove and replace with the cap.

Assembly

5

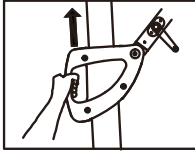


6

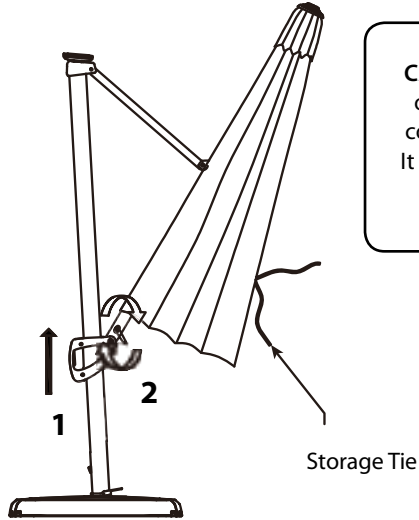


Operating Instructions

1

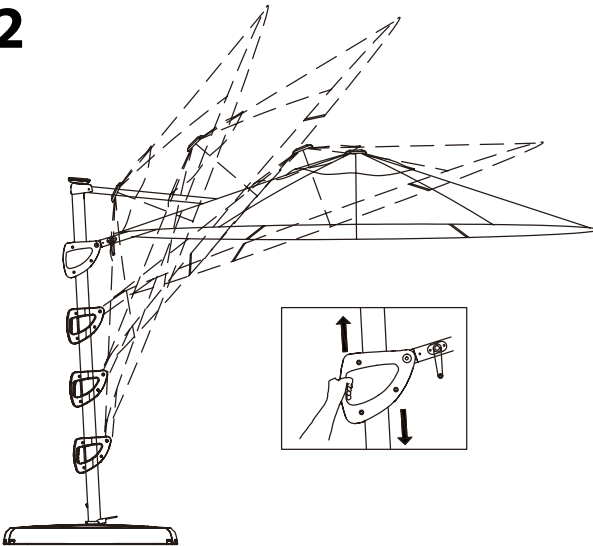


Crank clockwise
to open, ↻
counter-clockwise
to close. ↻



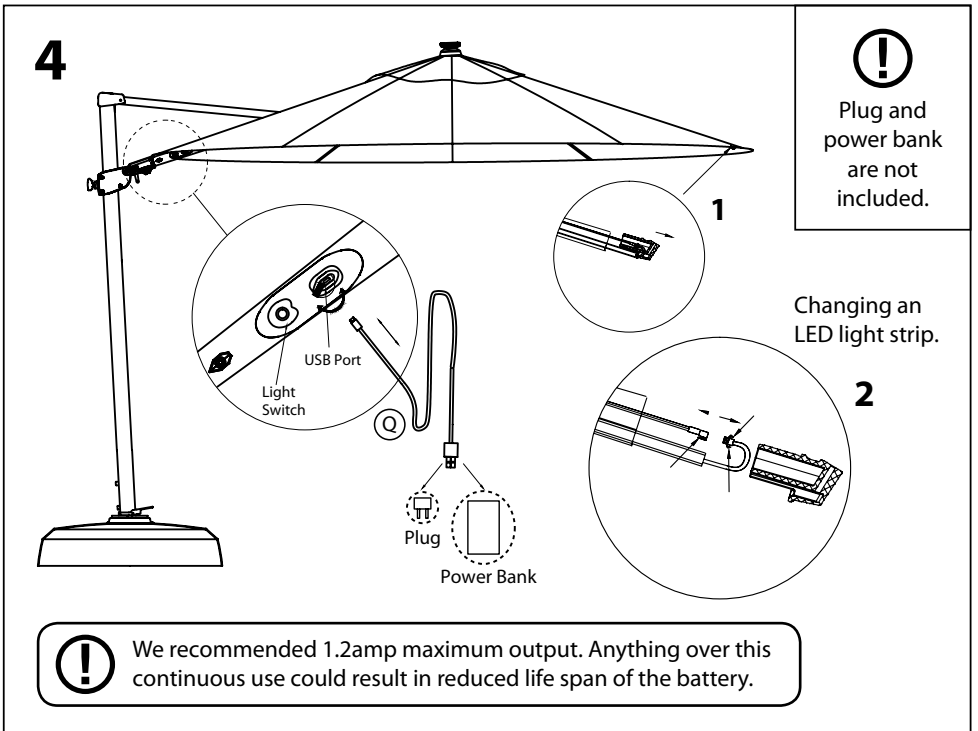
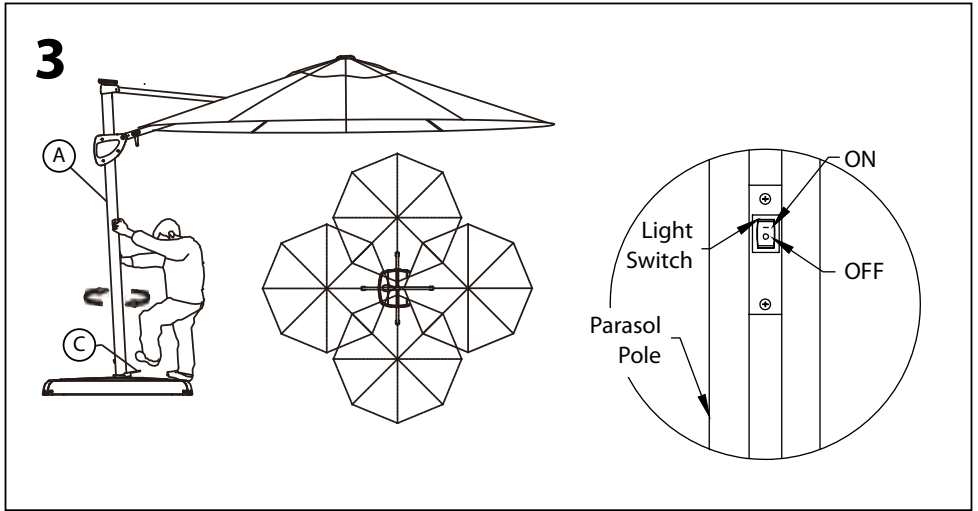
CAUTION: DO NOT
open the parasol
counter-clockwise.
It will not stay open
and may close
unexpectedly.

2



CAUTION: When
cranking the parasol
open, if you feel
resistance and
the canopy is not
opening, do not
force the crank
handle. Gently
spread the ribs by
hand and shake the
fabric, then continue
to crank open.

Operating Instructions

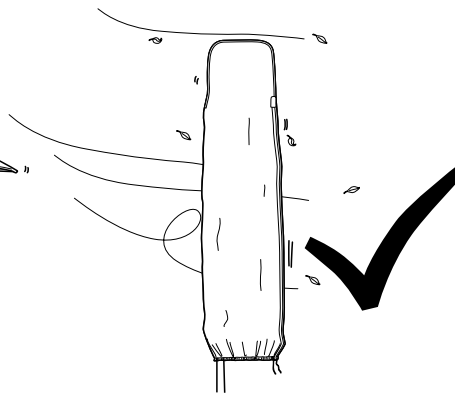
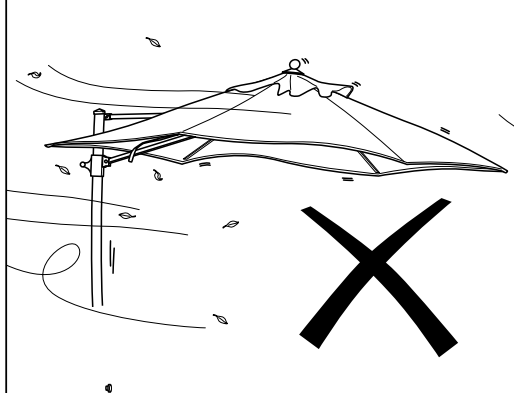


Operating Instructions

5

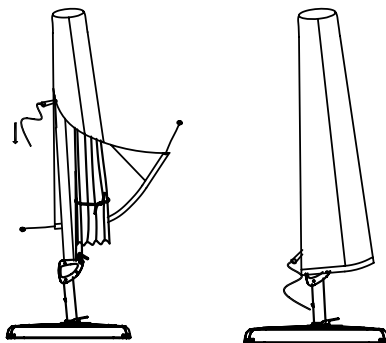
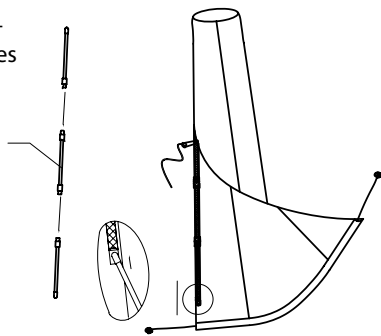


The parasol should be closed and the night cover fitted in windy conditions. Failure to do this may result in damage to the parasol.



Protective cover assembly:

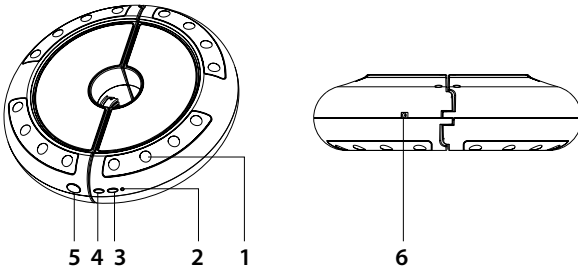
Fiber-
glasses



1. Assemble the three pairs of fiberglass in sequence and put it into the cover.

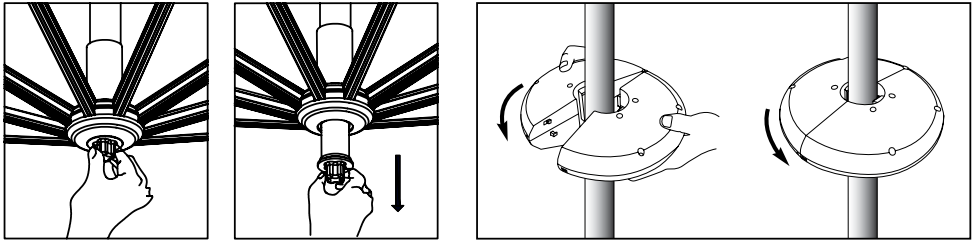
2. Cover on the parasol and pull the zipper down in the direction of arrow.

Parasol Wireless Speaker with LED Light



Functions

1. LED Light
2. Wireless & Charging Indicator
3. Wireless Switch
4. LED Light Power Switch
5. Unlock Button
6. Charging Port



Pull down middle section and attach the Wireless speaker here.

Charging:

- Charge for 2-4 hours for the 1st charge.
- Plug the adapter in the charging port and plug into the power supply (100-240V).
- When charging the red light will light up and go off when fully charged.
- Always charge in a dry environment.

User guide:

- To turn on, hold down the power switch for 3 seconds.
- Turn on your device's Wireless function and search for "Luna".
- The run time is approx. 6-10 hours.
- To turn the light on/off press the "LED" button.

Warning:

- Wireless connectivity will turn off when not used for 15 minutes.
- The sound quality will not be as good quality when the battery is low.
- Use wirelessly for upto 8-10metre range. Any more than this will affect the sound quality.
- Only one device can be connected at any one time.
- Do not allow the speaker unit to get wet.
- Store in a dry place when not in use.

Light:

- The LED lights ideally need to be charged in sunlight. It can be charged in daylight but will take longer to charge.



For Your Safety

- This product may only be used for its intended purpose as furniture for residential properties.
- Check all components regularly for correct function, damage and loose connections especially at the start of the season and at 1-2 month intervals dependent on use.
- Damaged components may endanger your safety or shorten the life of the product. Replace all damaged parts immediately. Use only spare parts manufactured by Kettler. Should you wish to purchase spare parts, they can be ordered directly from: www.kettler.co.uk/shop
- Kettler will not be responsible for damaged caused by improper use.



Attention

- Whilst assembling this product keep out of the reach of children. (Choking hazard – contains small parts)
- Ensure that your working area is free of possible sources of danger, for example don't leave any tools lying around.
- Always dispose of packaging material in such a way that it may not cause any danger. There is always a risk of suffocation if children play with plastic bags!
- We reserve the right to make changes for technical reasons.

KETTLER

Kettler GB Limited,
Merse Road, North Moons Moat,
Redditch, Worcestershire,
B98 9HL



www.kettler.co.uk



Warranty For Home Use

KETTLER parasols are covered by a
12 MONTH WARRANTY.

The warranty applies to domestic use only. If the product is damaged or chipped, rust may occur, and will not be covered by this warranty. If a product is accidentally damaged you can obtain touch up paint from our website www.kettler.co.uk

To validate your warranty, register at www.kettler.co.uk and quote the product code from the front of this booklet.