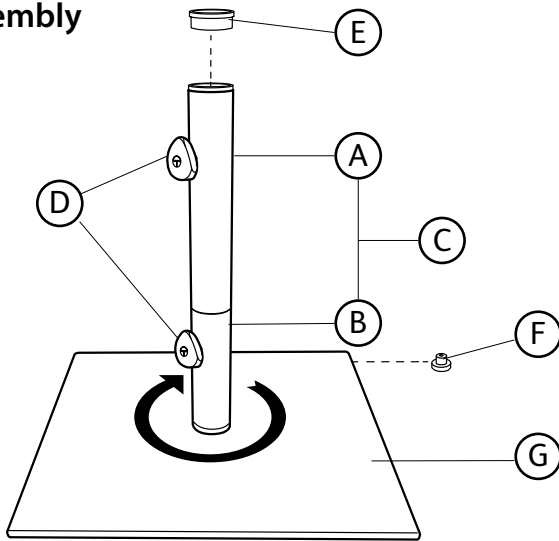


# KETTLER PB16/PB32 Series Parasol Base

## Assembly



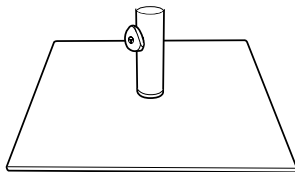
Turn the stem (C) clockwise until full tightened

## Check List

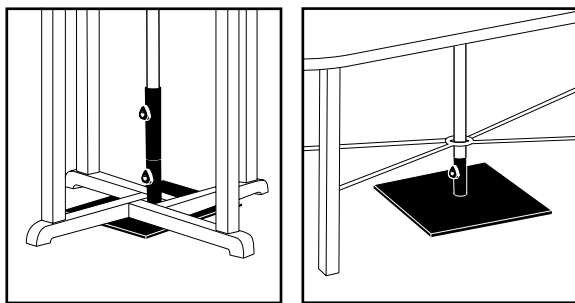
Item	Description	Quantity
A	Upper Stem	1
B	Lower Stem	1
C	Full Stem	1
D	Knobs	2
E	Reducer (PB 32)	1
F	Feet	4
G	Base	1

## Note

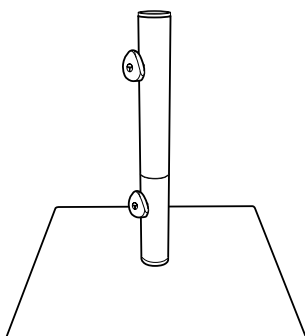
**NOT recommended for free-standing parasol applications.**



**Remove dual-purpose stem for under table use**

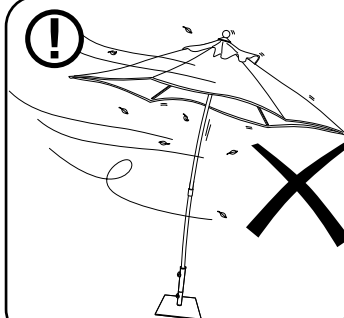


**Steel base for under the table use**



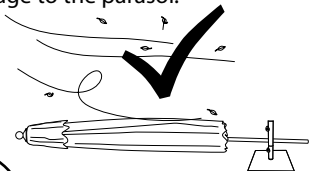
## Helpful advice before you begin:

1. We suggest you spend a short time reading through this leaflet and then follow the simple step by step instructions.
2. Do not discard any of the packaging until you have checked that you have all the parts and the pack of fittings.
3. Assemble this product on a soft surface.
4. Keep fittings out of children's reach.
5. Do not use any other tools other than those recommended to build this product.
6. Please do not use substitute parts. Use only additional or replacement parts supplied by Kettler.
7. In the unlikely event that this product has missing or damaged parts, please visit our website [www.kettler.co.uk](http://www.kettler.co.uk)



## Important

The parasol should be closed and the top section removed during windy weather. Failure to do this may result in damage to the parasol.



## Warranty For Home Use

This item is covered by a 12 MONTH KETTLER WARRANTY.  
The warranty applies to domestic use only.  
The warranty does not cover accidental damage or mis-use.  
To validate your warranty, register at [www.kettler.co.uk](http://www.kettler.co.uk) and quote the product code PB16 or PB32 (where relevant)