

KETTLER

Panalsol Frame 3x3m


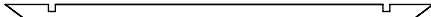









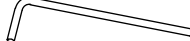
PNFR-0300



IMPORTANT

PLEASE KEEP THIS BOOKLET FOR FUTURE REFERENCE.
THIS IS IMPORTANT INFORMATION REGARDING THE USE AND
CARE OF YOUR GARDEN FURNITURE.

Parts List

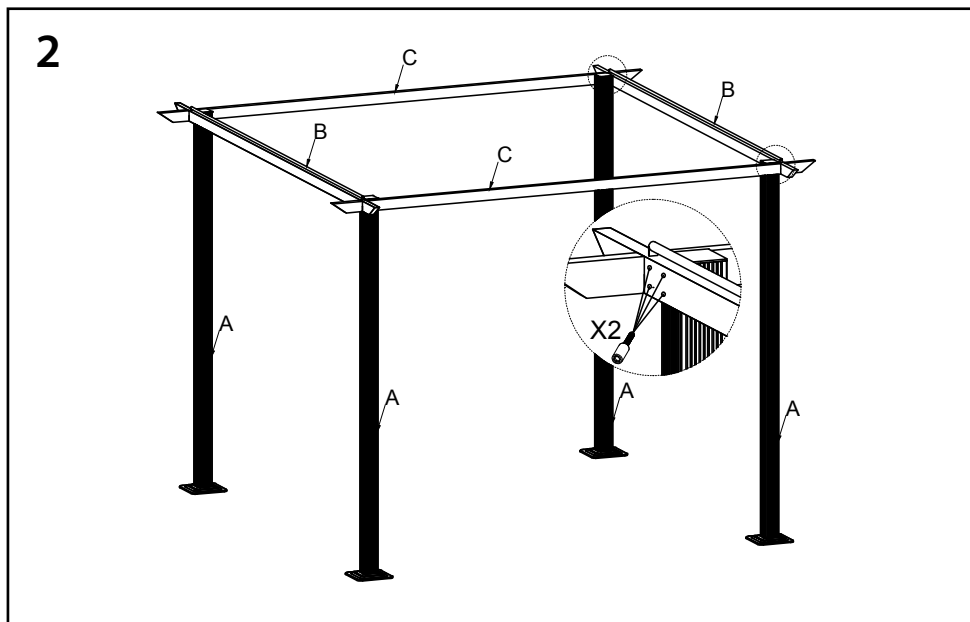
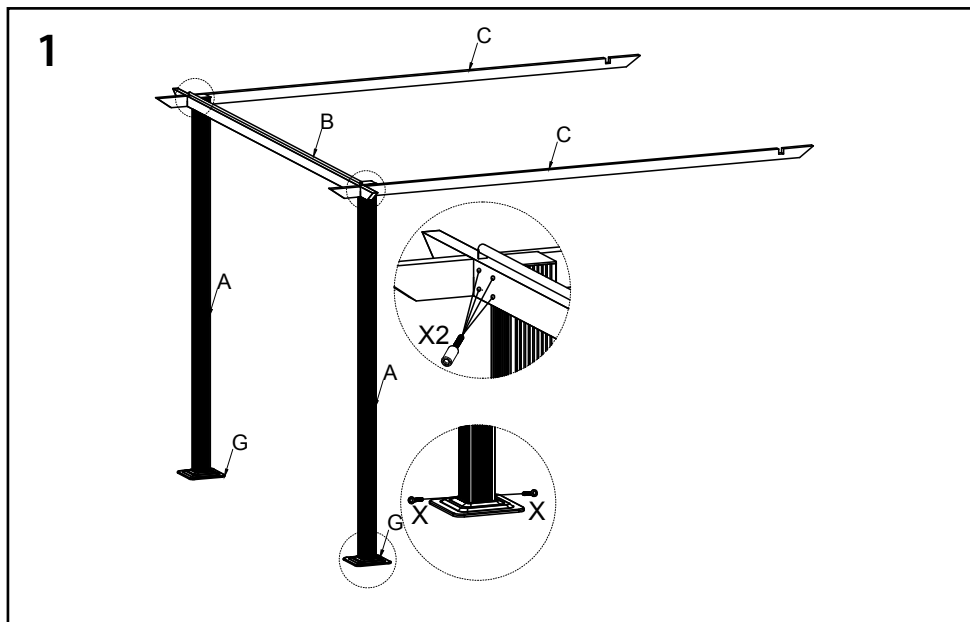
(A) Legs x4 		(C) Side Bar x2 	
(B) Outer Cross Bar x2 		(D) Inner Cross Bar x5 	
		(E) Canopy Pole x2 	
(G) Feet x4 	(H) Canopy x1 	(I) Please note: The canopy is sold separately.	
		(X) Bolt M6x15mm x8 	
(X2) Stem Bolt x32 	(X3) Bolt M6x45mm x10 	(J) Allen Key x2 	(K) Ground Peg x16 

Do not discard any of the packaging until you have checked that you have all the parts and the pack of fixings.

Helpful advice before you begin:

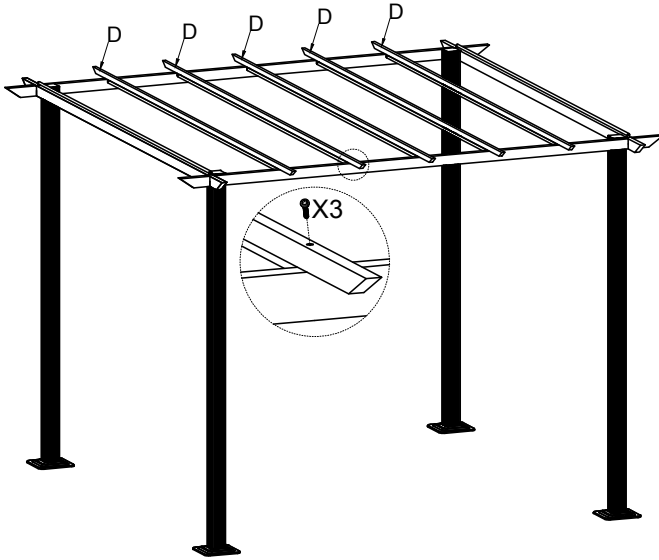
1. We suggest you spend a short time reading through this leaflet and then follow the simple step by step instructions.
2. Do not discard any of the packaging until you have checked that you have all the parts and the pack of fittings.
3. Assemble this product on a soft surface.
4. To ensure an easier assembly, we strongly advise that all fittings are only finger tightened during initial assembly. Only upon completion of the assembly should all fixing points be fully tightened.
5. We recommend a periodic check on all fixing points to make sure they remain fully tightened.
6. Keep fittings out of children's reach.
7. Do not use any other tools other than those recommended to build this product.
8. Please do not use substitute parts. Use only additional or replacement parts supplied by Kettler.
9. In the unlikely event that this product has missing or damaged parts, please visit our website www.kettler.co.uk/shop.

Assembly

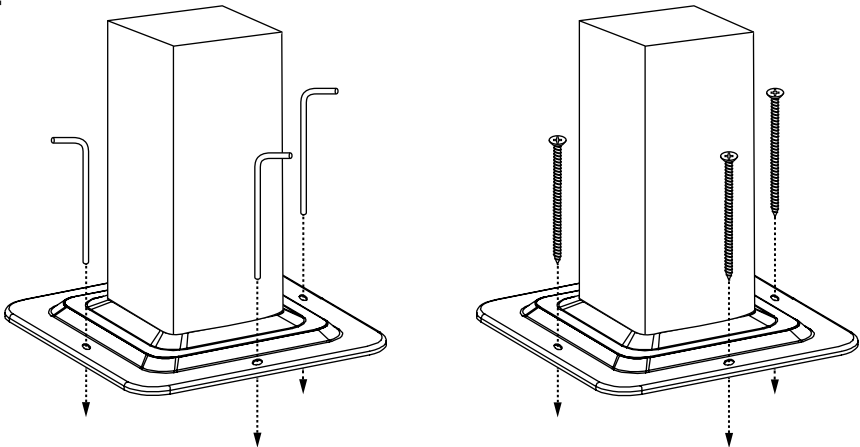


Assembly

3



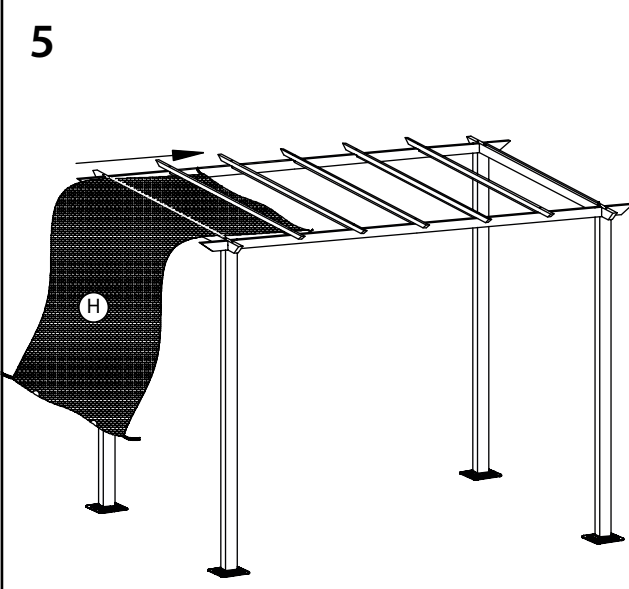
4





The Panalsol can be secured to the ground for extra stability. Ground pegs can be used to secure to grass or screw into decking.

Canopy Assembly (Canopy sold separately)

5



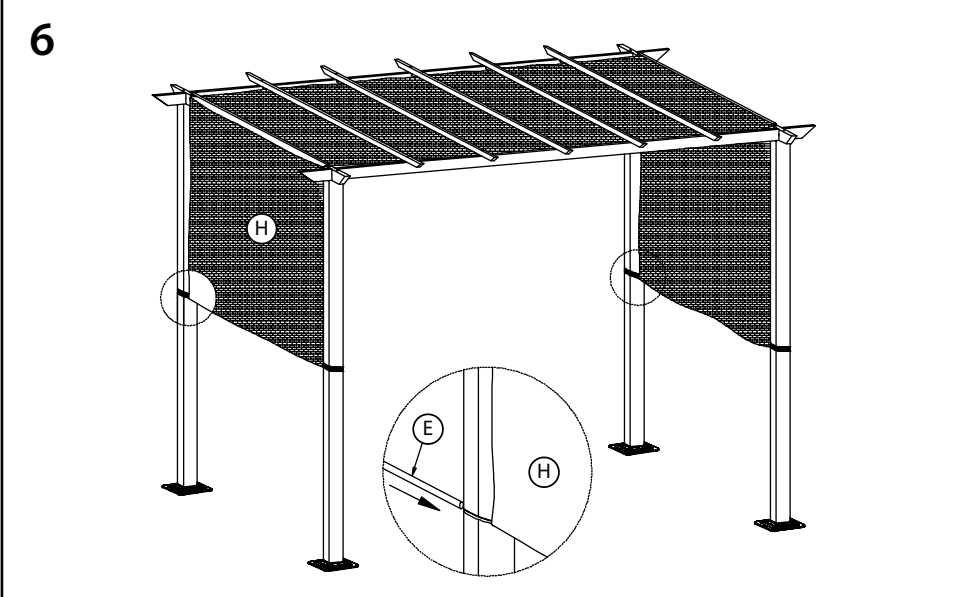
(H) Canopy  x1

(E) Canopy Pole  Supplied with Frame x2

!

This canopy is NOT waterproof and should not be used as shelter from rain. We recommend taking the canopy down when not in use and during windy or wet weather.

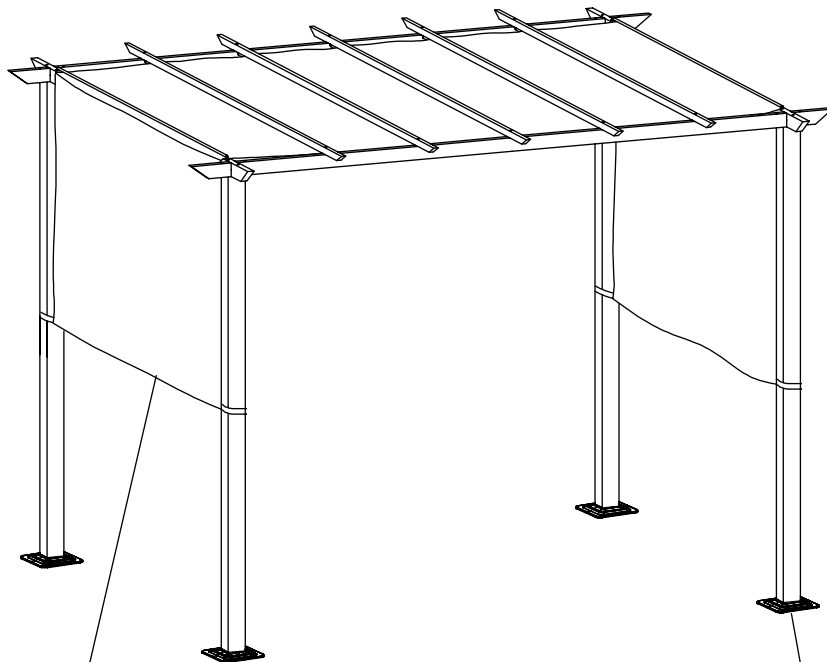
6



(H) Canopy

(E) Canopy Pole

Spare Parts



Canopy Pole
SPGCP-PNFR-0200
CANOPYPOLE

Bolt Pack
SPGBP-PNFR0200



For further information and spare parts visit our website www.kettler.co.uk/shop

Maintenance and Care Instructions

- This product may only be used for its intended purpose for residential premises.
- Kettler panels are designed to be left outdoors all year round excluding the canopy.
- We recommend you clean your Kettler furniture at the beginning and end of the season.
- To clean your Kettler furniture, use warm soapy water only. Never use abrasive chemicals or cleaning agents. Tree sap and bird droppings should be cleaned off immediately.
- Moving parts such as locking mechanisms, catches and joints need to be lubricated where necessary.
- This product is 100% recyclable. At the end of the products life, please dispose of responsibly.
- Colours may vary slightly.



Attention

Please be aware that painted/varnished surfaces can be damaged by sunscreens and oil based products. If the surface of your Kettler leisure furniture comes into contact with sunscreens, the surface is to be cleaned without delay as described above.

Only in this way can lasting discolouration of the surface by the ingredients of the sunscreen be prevented.

For Your Safety

- This product may only be used for its intended purpose as furniture for residential properties.
- Check all components regularly for correct function, damage and loose connections especially at the start of the season and at 1-2 month intervals dependent on use.
- Damaged components may endanger your safety or shorten the life of the product. Replace all damaged parts immediately. Use only spare parts manufactured by Kettler. Should you wish to purchase spare parts, they can be ordered directly from: www.kettler.co.uk/shop
- Kettler will not be responsible for damaged caused by improper use.



Attention

- Whilst assembling this product keep out of the reach of children. (Choking hazard – contains small parts)
- Ensure that your working area is free of possible sources of danger, for example don't leave any tools lying around.
- Always dispose of packaging material in such a way that it may not cause any danger. There is always a risk of suffocation if children play with plastic bags!
- We reserve the right to make changes for technical reasons.

KETTLER

Kettler GB Limited,
Merse Road, North Moons Moat,
Redditch, Worcestershire,
B98 9HL



www.kettler.co.uk



Warranty For Home Use

This product is covered by a 3 year warranty against manufacturing faults. This warranty applies to domestic use only. It does not cover commercial use, mis-use or accidental damage.

To validate your warranty, register at www.kettler.co.uk and quote the product code from the front of this booklet.