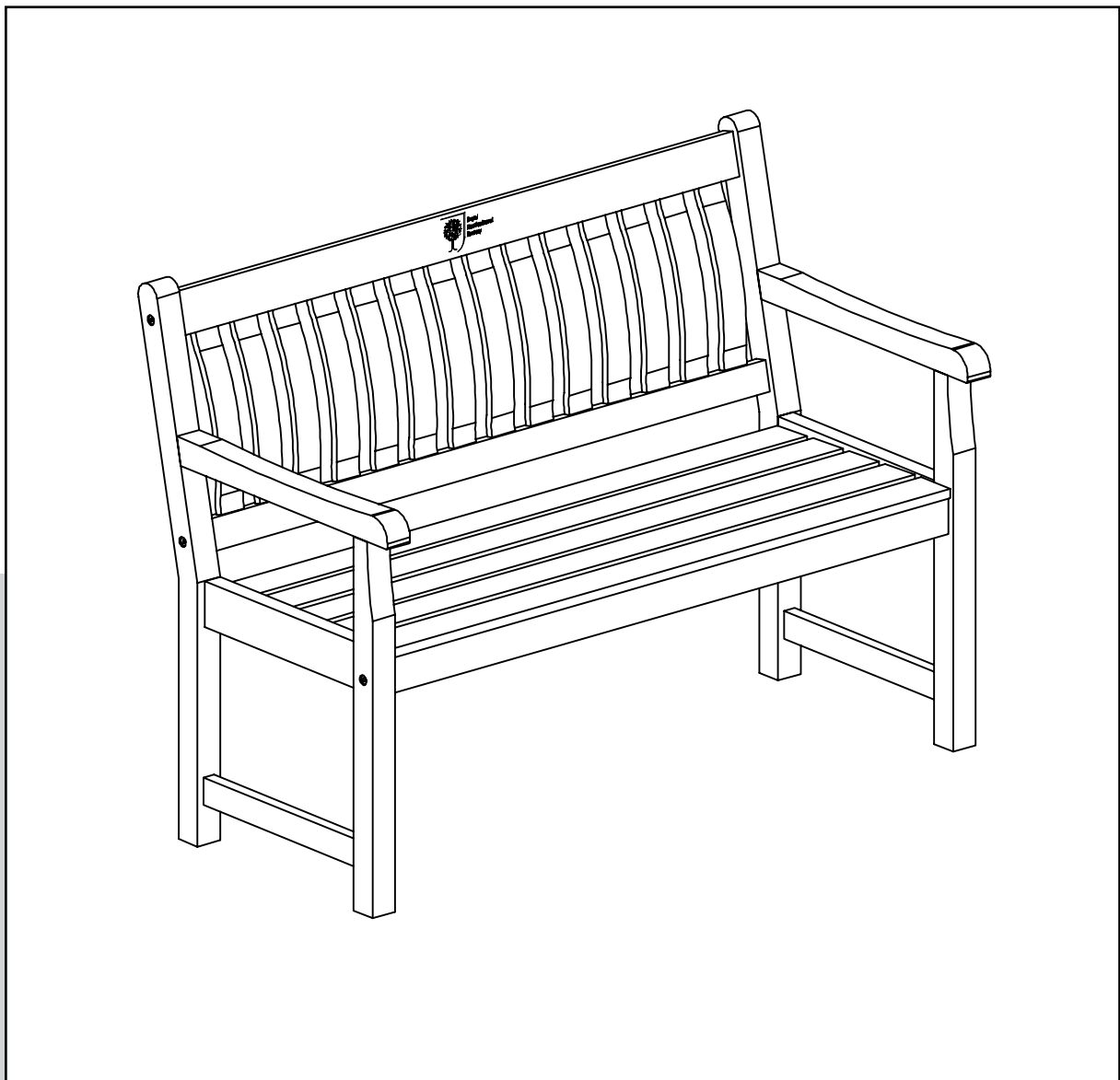


Royal  
Horticultural  
Society

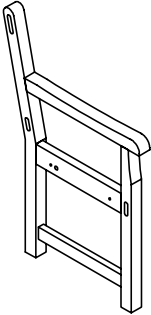
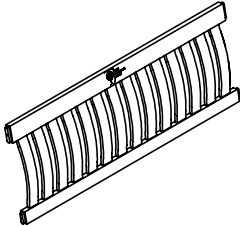
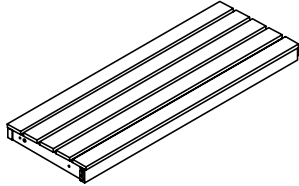


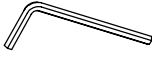
BY

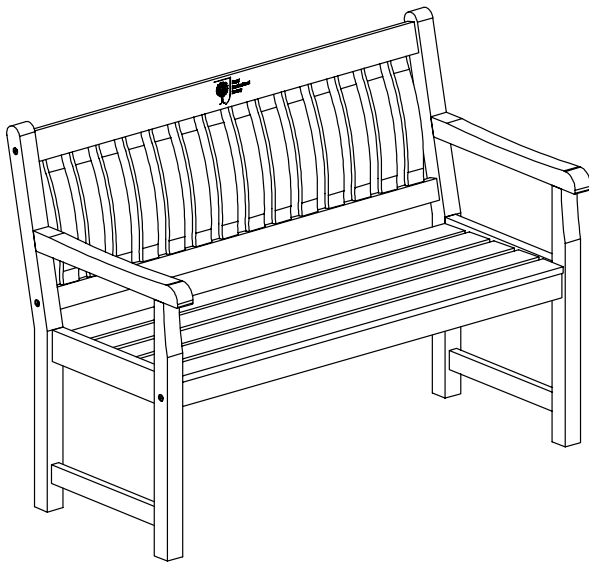
**KETTLER**

## 4ft Bench



# Parts List

<p>(A) Side Frames</p>  <p><b>x2 (L&amp;R)</b></p>	<p>(B) Back Assembly</p>  <p><b>x1</b></p>	<p>(C) Seat Assembly</p>  <p><b>x1</b></p>
<p>(D) Allen Screw (M7 x 90)</p>  <p><b>x6</b></p>	<p>(E) Allen Screw (M6 x 40)</p>  <p><b>x4</b></p>	<p>(F) Allen Key</p>  <p><b>x1</b></p>



Do not discard any of the packaging until you have checked that you have all the parts and the pack of fixings.

## Helpful advice before you begin:

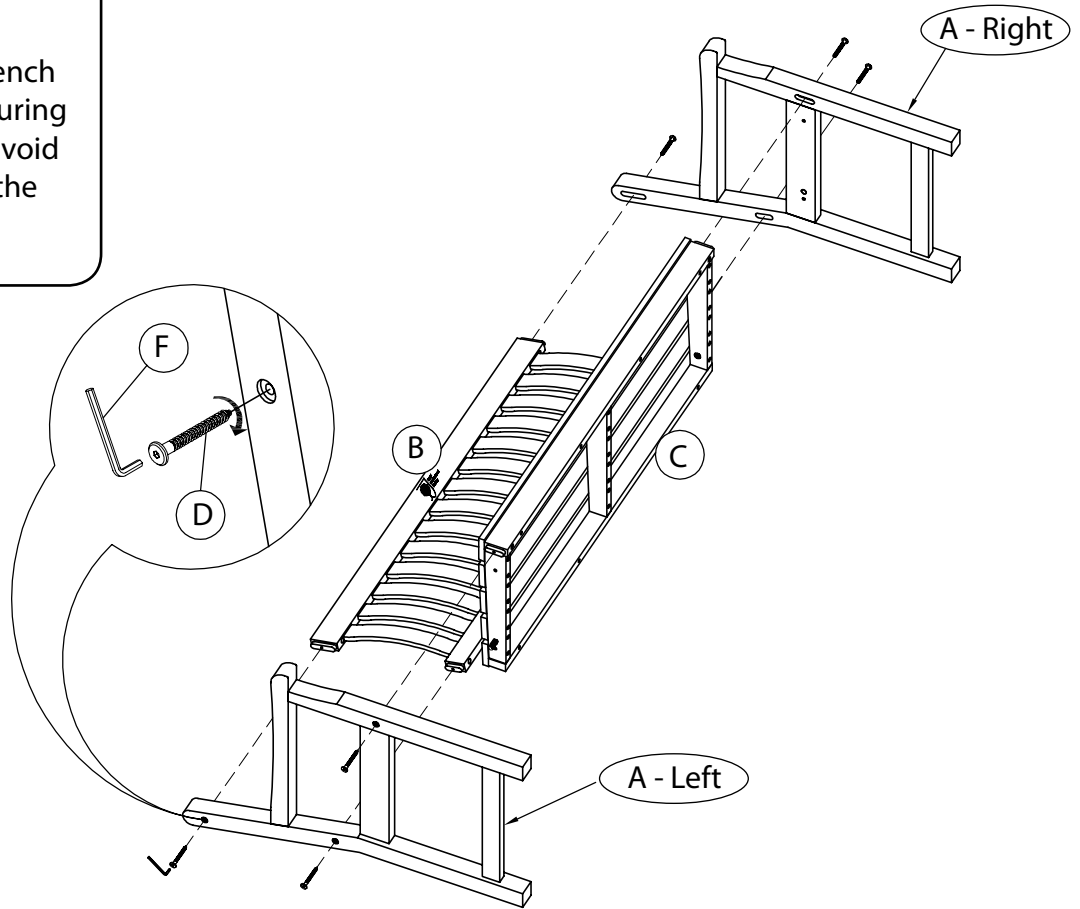
1. We suggest you spend a short time reading through this leaflet and then follow the simple step by step instructions.
2. Do not discard any of the packaging until you have checked that you have all the parts and the pack of fittings.
3. Assemble this product on a soft surface.
4. To ensure an easier assembly, we strongly advise that all fittings are only finger tightened during initial assembly. Only upon completion of the assembly should all fixing points be fully tightened.
5. We recommend a periodic check on all fixing points to make sure they remain fully tightened.
6. Keep fittings out of children's reach.
7. Do not use any other tools other than those recommended to build this product.
8. Please do not use substitute parts. Use only additional or replacement parts supplied by Kettler.
9. In the unlikely event that this product has missing or damaged parts, please visit our website [www.kettler.co.uk](http://www.kettler.co.uk).

# Assembly Instructions

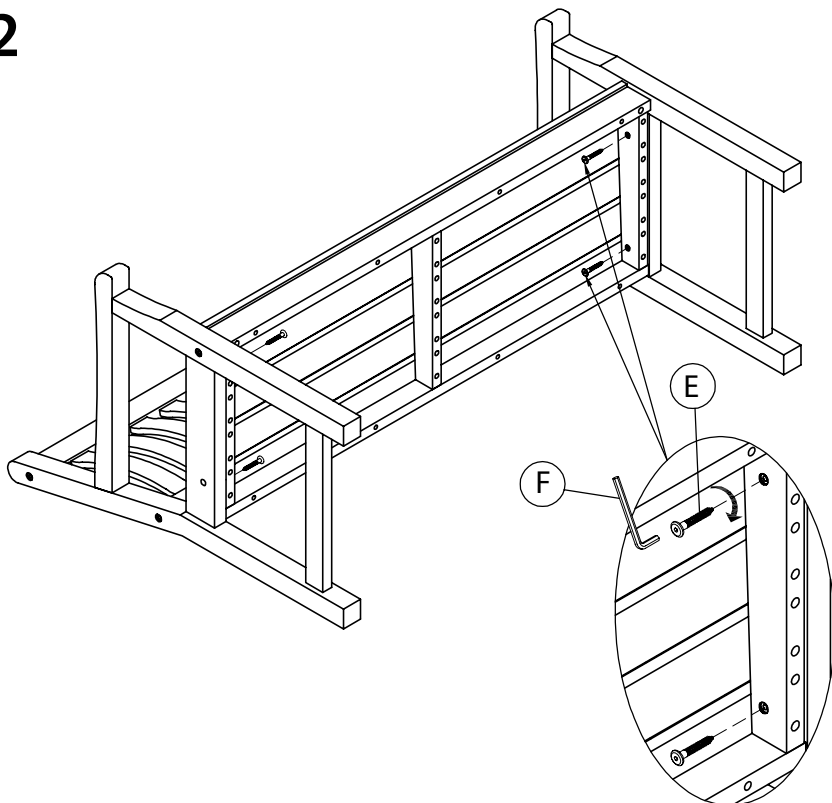
1



Ensure the bench is protected during assembly to avoid damage to the surface



2



Assemble all parts loosely and when all components are in place tighten fixings to secure

## For your safety

- This product may only be used for its intended purpose as outdoor furniture for residential spaces.
- Check all components regularly for correct functioning, damages and loosened connections especially at the beginning of the season.
- Damaged components may endanger your safety or shorten the life of the product. Replace all damaged parts immediately. Use only spare parts manufactured by Kettler.
- Incorrect repairs or alterations to the product (e.g. removal of original Kettler parts and their replacement with non-Kettler parts) may endanger the user's safety. Should you wish to purchase spare parts, please visit our website [www.kettler.co.uk](http://www.kettler.co.uk).
- The manufacturer is not liable for damage to the product caused by improper use.

## ⚠ Attention

- Whilst assembling this product keep out of the reach of children. (Choking hazard – contains small parts)
- Ensure that your working area is free of possible sources of danger, for example don't leave any tools lying around.
- Always dispose of packaging material in such a way that it may not cause any danger. There is always a risk of suffocation if children play with plastic bags!
- We reserve the right to make changes for technical reasons.

**Please keep these assembly instructions for any spare parts orders**

**KETTLER**

Kettler GB Limited  
Merse Road, North Moons Moat, Redditch,  
Worcestershire, B98 9HL



[www.kettler.co.uk](http://www.kettler.co.uk)

**KETTLER**  
**12**  
Month  
Warranty

### Warranty For Home Use

For manufacturing faults only.

The warranty applies to domestic use only. If the product is damaged through accidental damage or mis-use, your warranty will be void. Spare parts and touch up paints can be obtained from our website.

To validate your warranty, register at [www.kettler.co.uk](http://www.kettler.co.uk) and quote the product code from the front of this booklet.