

# KETTLER

## Palma Stool

0103333-2100/5510



**IMPORTANT**

PLEASE KEEP THIS BOOKLET FOR FUTURE REFERENCE.  
THIS IS IMPORTANT INFORMATION REGARDING THE USE AND  
CARE OF YOUR GARDEN FURNITURE.

# Maintenance and Care Instructions

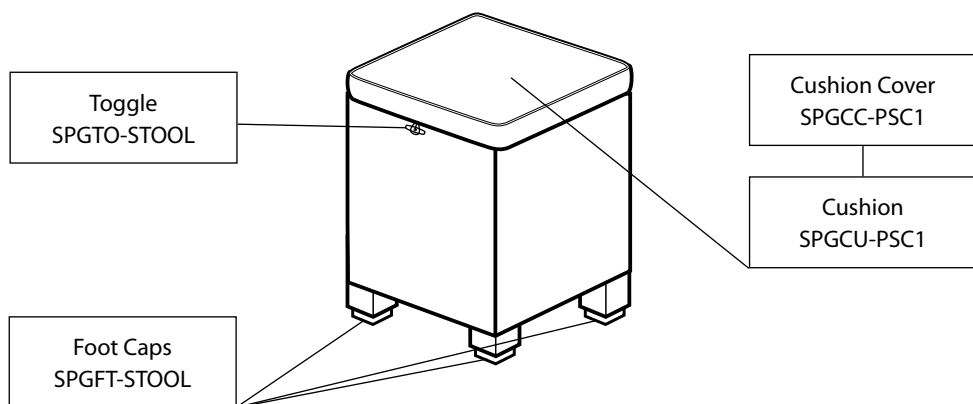
- This product may only be used for its intended purpose for residential premises.
- Kettler furniture is designed to be left outdoor all year round (excluding cushions).
- Moving parts such as locking mechanisms, catches and joints need to be lubricated where necessary.
- We recommend you clean your Kettler furniture at the beginning and end of the season. To clean your Kettler furniture, use warm soapy water only. Never use abrasive chemicals or cleaning agents. Tree sap and bird droppings should be cleaned off immediately.
- Kettler cushions are not suitable for dry cleaning and are not machine washable. Sponge clean only.
- Kettler furniture can be covered – we recommend that you only use Kettler tailored covers.
- This product is 100% recyclable. At the end of the products life, please dispose of responsibly.
- Colours may vary slightly.



## Attention

Please be aware that painted/varnished surfaces can be damaged by sunscreens. If the surface of your Kettler leisure furniture comes into contact with sunscreens, the surface is to be cleaned without delay as described above. Only in this way can lasting discolouration of the surface by the ingredients of the sunscreen be prevented.

# Spare Parts/Warranty



## Warranty For Home Use

This product is covered by a 3 year warranty against manufacturing faults. This warranty applies to domestic use only. It does not cover commercial use, mis-use or accidental damage.

Warranty claims cannot be accepted without a proof of purchase.

[www.kettler.co.uk](http://www.kettler.co.uk)



For further information and spare parts visit our website [www.kettler.co.uk/shop](http://www.kettler.co.uk/shop)

# For Your Safety

- This product may only be used for its intended purpose as furniture for residential properties.
- Check all components regularly for correct function, damage and loose connections especially at the start of the season and at 1-2 month intervals dependent on use.
- Damaged components may endanger your safety or shorten the life of the product. Replace all damaged parts immediately. Use only spare parts manufactured by Kettler. Should you wish to purchase spare parts, they can be ordered directly from: **[www.kettler.co.uk/shop](http://www.kettler.co.uk/shop)**
- Kettler will not be responsible for damaged caused by improper use.



## Attention

- Whilst assembling this product keep out of the reach of children. (Choking hazard – contains small parts)
- Ensure that your working area is free of possible sources of danger, for example don't leave any tools lying around.
- Always dispose of packaging material in such a way that it may not cause any danger. There is always a risk of suffocation if children play with plastic bags!
- We reserve the right to make changes for technical reasons.

# KETTLER

Kettler GB Limited,  
Merse Road, North Moons Moat,  
Redditch, Worcestershire,  
B98 9HL



**[www.kettler.co.uk](http://www.kettler.co.uk)**