

# **KETTLER**

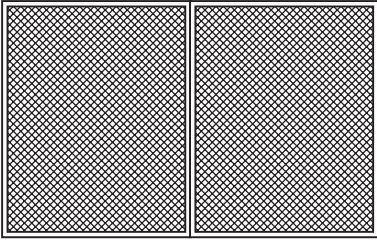
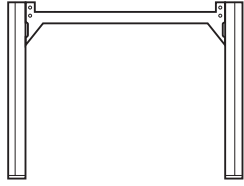

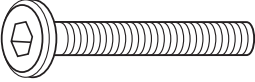


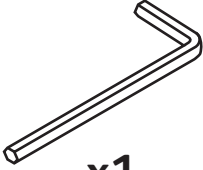
## **Extending Table**



For the following products:

- 150/250 x 90cm

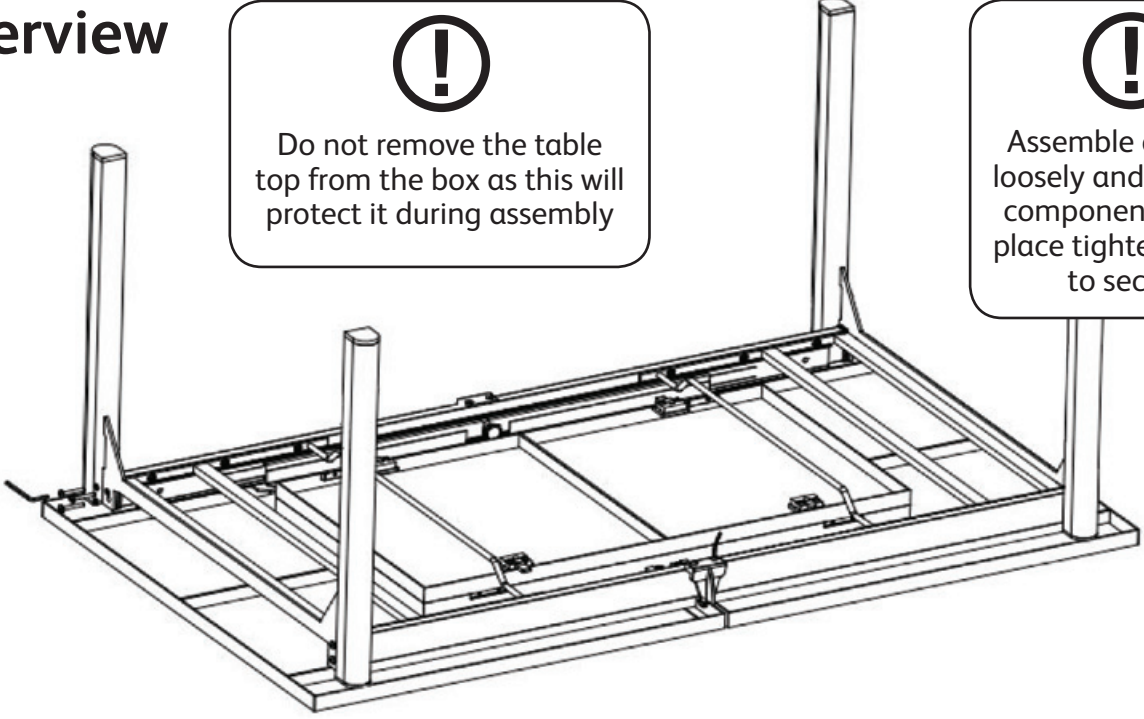
# Parts List


<p>(A) Table Top (including 2 x extension leaves)</p>  <p>x1</p>	<p>(B) Pre Assembled Leg Frame</p>  <p>x2</p>	<p></p> <p>Do not discard any of the packaging until you have checked that you have all the parts and the pack of fixings.</p>	
<p>(C) Screws M6x30</p>  <p>x8</p>	<p>(D) Washers</p>  <p>x8</p>	<p>(E) Plastic Washers</p>  <p>x4</p>	<p>(F) Allen Key</p>  <p>x1</p>


## Helpful advise before you begin:

1. We suggest you spend a short time reading through this leaflet and then follow the simple step by step instructions.
2. If you follow the instructions carefully the end result should be worth the effort.
3. Do not discard any of the packaging until you have checked that you have all the parts and the pack of fittings.
4. Assemble this product on a soft surface.
5. To ensure an easier assembly, we strongly advise that all fittings are only finger tightened during initial assembly. Only upon completion of the assembly should all fixing points be fully tightened.
6. Keep fittings out of children's reach.
7. Do not use any other tools other than those recommended to build this product.
8. Please do not use substitute parts. Use only additional or replacement parts supplied by Kettler.
9. In the unlikely event that this product has missing or damaged parts, please call 01527 588995 to obtain spares.

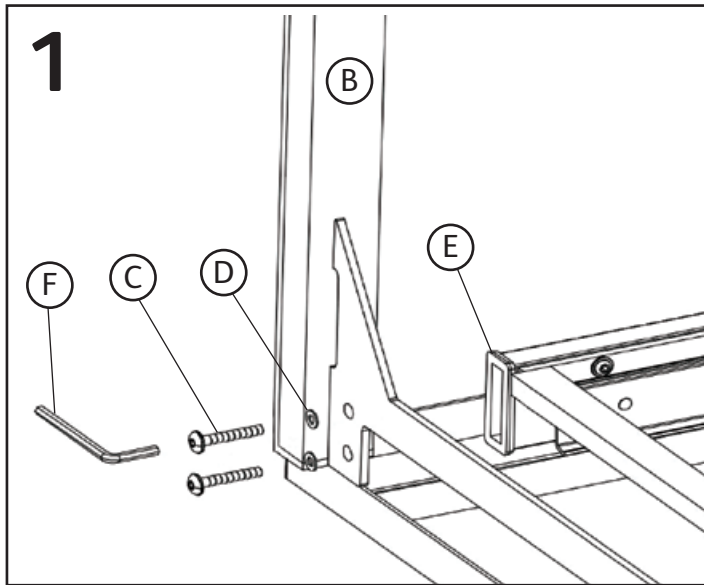
## Overview



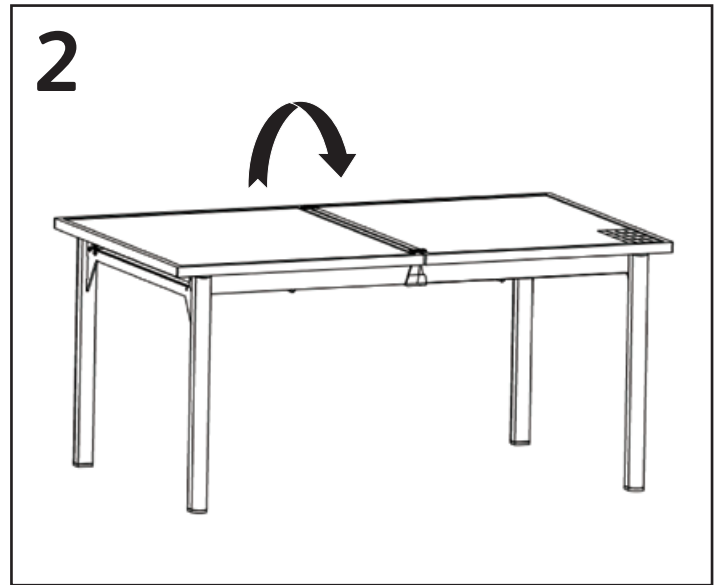
 Do not remove the table top from the box as this will protect it during assembly

 Assemble all parts loosely and when all components are in place tighten fixings to secure

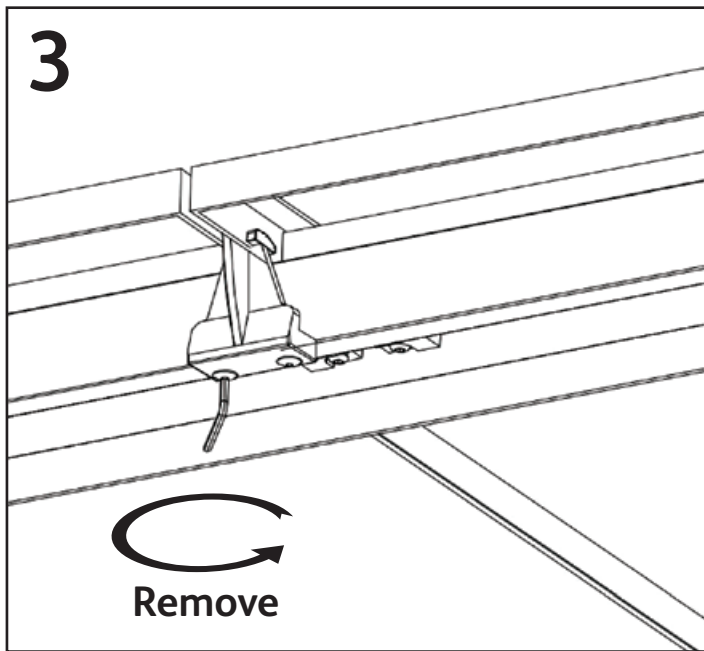
# Assembly Instructions



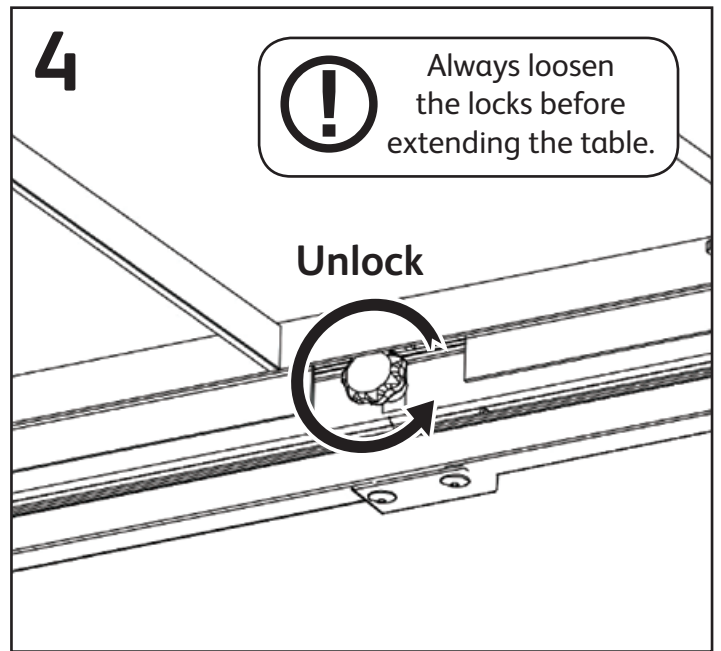
1 Attach the table legs to the table top by loosely securing with the screws. Tighten fully when all parts are assembled.



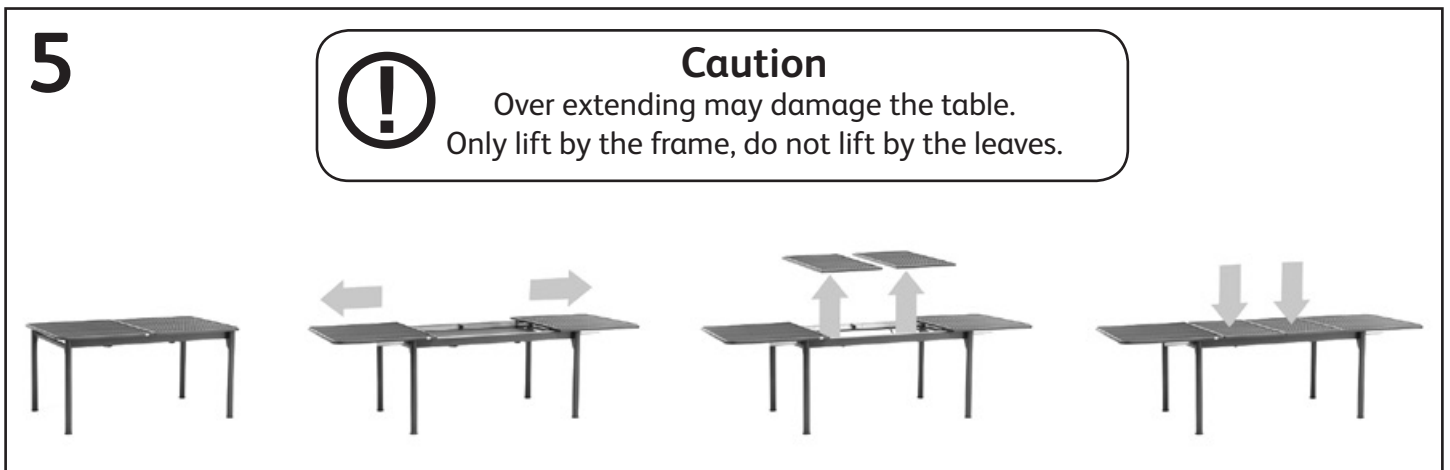
2 Take the table out of the box and turn upright.



3 Move the table to the required location then remove the shipping brackets using the allen key supplied. We recommend retaining the shipping brackets for future use.



4 Release the locks before extending the table top. Slide the table apart to remove the extension leaves and packaging.



## Caution

Over extending may damage the table.  
Only lift by the frame, do not lift by the leaves.

## For your safety

- This product may only be used for its intended purpose as outdoor furniture for residential spaces.
- Check all components regularly for correct functioning, damages and loosened connections especially at the beginning of the season.
- Control locking mechanisms, catches and joints in particular. If they are rough-running use commercially available silicone lubricant.
- Damaged components may endanger your safety or shorten the life of the product. Replace all damaged parts immediately. Use only spare parts manufactured by Kettler.
- Incorrect repairs or alterations to the product (e.g. removal of original Kettler parts and their replacement with non-Kettler parts) may endanger the user's safety. Should you wish to purchase spare parts, please contact Kettler on **01527 588995**.
- The manufacturer is not liable for damage to the product caused by improper use.

## ⚠ Attention

- Whilst assembling this product keep out of the reach of children. (Choking hazard – contains small parts)
- Ensure that your working area is free of possible sources of danger, for example don't leave any tools lying around.
- Always dispose of packaging material in such a way that it may not cause any danger. There is always a risk of suffocation if children play with plastic bags!
- We reserve the right to make changes for technical reasons.

**Please keep these assembly instructions for any spare parts orders**

**KETTLER**

Kettler GB Limited  
Merse Road, North Moons Moat, Redditch, Worcestershire, B98 9HL  
Tel: 01527 588995 Fax: 01527 62423  
Email: sales@kettler.co.uk



[www.kettler.co.uk](http://www.kettler.co.uk)



### Warranty For Home Use

KETTLER furniture is covered by a  
5 YEAR ANTI RUST WARRANTY  
against rust causing failure.

The warranty applies to domestic use  
only. If the product is damaged or  
chipped, rust may occur, and will not be  
covered by this warranty. If a product is  
accidentally damaged you can obtain  
touch up paint from our customer  
service department by calling

**01527 588995.**

No warranty claims can be accepted  
without a valid proof of purchase.