

# KALOS

ADDING WARMTH TO OUTDOOR LIVING

## Plush Electric Heater Pendant

KLEH103-0100



### **IMPORTANT**

PLEASE KEEP THIS BOOKLET FOR FUTURE REFERENCE.  
THIS IS IMPORTANT INFORMATION REGARDING THE USE AND  
CARE OF YOUR HALOGEN HEATER.

# Important Information

- ⚠️ Unpack the halogen heater making sure that all the items are present and that there are no components left in the box and that the heater head is free from any packing material.
- ⚠️ Using the detailed drawing follow the steps to assemble your halogen heater.
- ⚠️ **DO NOT** connect the halogen heater to the electrical supply until all the assembly is complete.
- ⚠️ **DO NOT** connect the halogen heater to the electrical supply if any of the components or the power cord is damaged in any way.

If in doubt contact your supplier.

## Important advice before you begin:

This appliance is not intended for use by persons (including children) with reduced physical, sensory or mental capabilities or lack of experience and knowledge if they have been given supervision or instruction concerning use of the appliance in a safe way and understand the hazards involved.

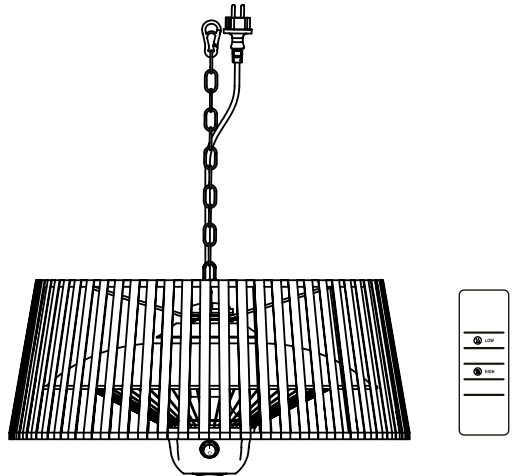
Children should not play with the appliance.

Cleaning and user maintenance should not be made by children without supervision.

Do not use any other tools other than those recommended to build this product.

Please do not use substitute parts. Use only additional or replacement parts supplied by Kettler.

In the unlikely event that this product has missing or damaged parts, please visit our website [www.kettler.co.uk/shop](http://www.kettler.co.uk/shop).



# For Your Safety

## Warning

- This heater is not equipped with a device to control the room temperature. **DO NOT** use this heater in small rooms when they are occupied by persons not capable of leaving the room on their own, unless constant supervision is provided.
- Children of less than 3 years should be kept away unless continuously supervised.
- Children under 8 years shall not plug in, regulate and clean the appliance or perform user maintenance

## Caution

- Some parts of this product can become very hot and cause burns. Particular attention has to be given where children and vulnerable people are present.
- Only use the halogen heater on a firm solid horizontal area where all the feet on the base are in contact with the floor. (Should the heater be tilted or fall over the auto cut off switch will activate)



## Important Instructions

When using this electric unit, basic safety precautions should be followed to reduce the risk of fire, electric shock, and injury to persons, including the following:

1. Mount the heater outside or in a large open area and well away from any obstructions such as branches or where the heater is near any objects that can be affected by heat, such as furniture, curtains or other inflammable objects (minimum distance 1 meter).
2. **DO NOT** position immediately above or below an electrical socket.
3. The unit must be placed with the clearance of 180cm to the floor and 30cm to the ceiling.
4. When the power supply cord is damaged, it must be replaced by authorized agent or other professional people to avoid danger.
5. This appliance is not intended for use by persons (including children) with reduced physical, sensory or mental capabilities, or lack of experience and knowledge, unless they have been given supervision or instruction concerning use of the appliance by a person responsible for their safety.
6. Children should be supervised to ensure that they do not play with the appliance.
7. **CAUTION:** Risk of Electric Shock. **DO NOT** open or try to repair the heater yourself.
8. This heater may get hot when in use. To avoid burns, **DO NOT** let bare skin touch hot surfaces. If provided, use handles when moving this heater.

# For Your Safety

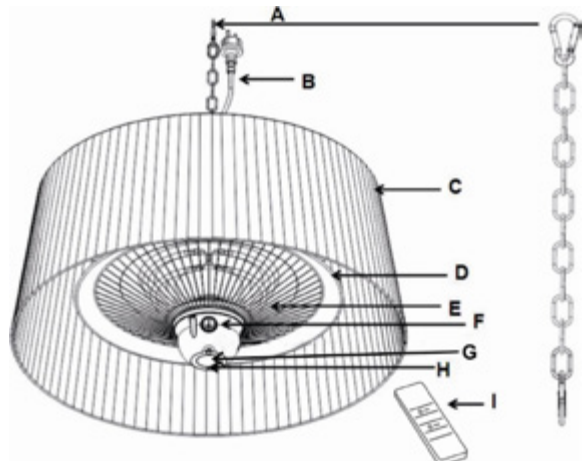
1. Keep combustible materials, such as furniture, pillows, bedding, paper, clothes, and curtains at least 3 ft from the front of the heater and keep them away from the sides, top, and rear. **DO NOT** place towels or other objects on the heater.
2. Extreme caution is necessary when any heater is used by or near children or the disabled, or when the heater is left operating and unattended.
3. The appliance is not to be used by children or persons with reduced physical, sensory or mental capabilities, or lack of experience and knowledge, unless they have been given supervision or instruction. Children being supervised not to play with the appliance
4. **DO NOT** operate any heater with a damaged cord or after the heater malfunctions, has been drooped or damaged in any manner. Return heater to authorized service facility for examination, electrical or mechanical adjustment, or repair.
5. This heater is not intended for use in bathrooms, laundry areas and similar indoor locations. **NEVER** locate heater where it may fall into a bathtub or other water container. To protect against electrical hazards, **DO NOT** immerse in water or other liquids. **DO NOT** use near water.
6. **DO NOT** touch the control panel or plug with a wet hand.
7. **DO NOT** run cord under carpeting. **DO NOT** cover cord with throw rugs, runners or similar coverings. Arrange cord away from traffic area and where it will not be tripped over.
8. **DO NOT** insert or allow foreign objects to enter any ventilation or exhaust opening as this may cause an electric shock or fire, or damage the heater.
9. To prevent a possible fire, **DO NOT** block the air intakes or exhaust in any manner. **DO NOT** use on soft surfaces, like a bed, where openings may become blocked.
10. A heater has hot and arcing or sparking parts inside. **DO NOT** use in areas where gasoline, paint, explosive and/or flammable liquids are used or stored. Keep unit away from heated surfaces and open flames.
11. **DO NOT** use in unventilated areas.
12. Avoid the use of an extension cord because the extension cord may overheat and cause a risk of fire. However, if you have to use an extension cord, the cord shall be 2.5mm<sup>2</sup> minimum size.
13. To avoid fire or shock hazard, plug the unit directly into a 220-240 Vac and 15A electrical socket outlet.
14. To disconnect heater, turn controls to OFF, then remove plug from outlet. Pull firmly on plug, **DO NOT** unplug by pulling on the cord.
15. Always unplug the unit before moving or cleaning, or whenever the heater is not in use.

# For Your Safety & Parts List

16. Use only for intended household use as described in this manual. Any other use not recommended by the manufacturer may cause fire, electric shock, or injury to persons. The use of attachments not recommended or sold by unauthorized dealers may cause hazards.
17. Always use on a dry, level surface. Use on ceiling only.
18. **WARNING:** To reduce the risk of fire or electric shock, **DO NOT** use this unit with any solid-state speed control device.
19. **DO NOT** attempt to repair or adjust any electrical or mechanical functions on this unit. Doing so will void your warranty. The inside of the unit contains no user serviceable parts. Qualified personnel should perform all servicing only.
20. When the power cord supply is damaged, it must be replaced by a qualified engineer to avoid danger.
21. Connect to properly grounded outlets only.
22. The heater must not be located in front of a socket outlet.
23. **DO NOT** use this unit in place of animal propagating and raising.
24. **SAVE THESE INSTRUCTIONS.**

## Parts List

Part	Description
A	Chain with Hook
B	Power Cable
C	Decorative Shade
D	Heater Head
E	Heating Lamp
F	On/Off Switch
G	LED
H	Touch Switch



# Assembly

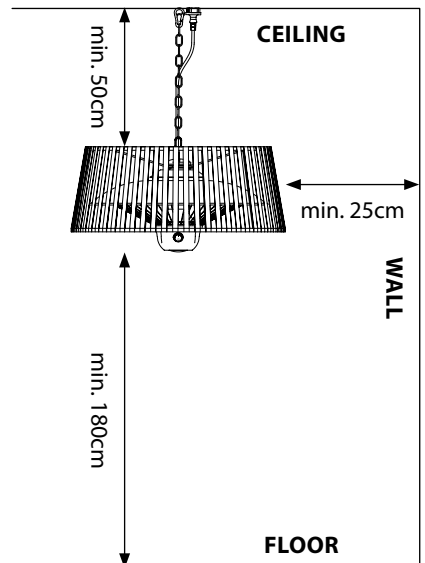


**WARNING:** Please tear off all of the protective film around the shade first.

- A.** Heater must be installed by a qualified electrician.
- B.** Place the heater on a firm, level ceiling surface; level ceiling surface; installation of the heater on a strong rigid support (such as strong wooden beams or metal rails etc).
- C.** The Hook on the ceiling hanging the Patio Heater must be able to take a weight 3 or 4 times that of the Patio Heater itself.
- D.** Place the Hook **A** around the Ceiling Hook and clip on any Ring of the Chain to adjust the height of the Patio Heater to the Floor.
- E.** The distance between the bottom of the Patio Heater to the Floor must be over 1.8m.
- F.** Plug the Patio Heater into a grounded 220-240V 50Hz 13A power outlet.
- G.** Only operate the heater when it is in the upright position.

## Minimum Required Distances:

- 25cm from the side wall
- 50cm from the ceiling
- Installation height above 180cm



# Operation Instructions



**WARNING:** The heater must be properly installed before it is used. This unit is equipped with one heat setting On / Off.



## Remote control

- A. Press the On/Off switch to activate the heater
- B. To operate the heater on low power (800W), press on the left side button of the remote control
- C. To operate the heater on medial (1000W), press on the right-side button of the remote control
- D. Press on both the left and right-side button of the remote control for maximum power (1800W)
- E. To operate the LED light, press the top button of the remote control



## Operation of Touch Switch

- Press the On/Off switch to activate the heater
- Touch the touch switch once to operate the heater on 800W power.
- Touch the touch switch twice to operate the heater on 1800W power.
- Touch the touch switch three times to activate the LED light without heat.
- Touch the touch switch four times to operate the LED light and to operate the heater on 1800W power.
- Touch the touch switch five times to shut off the light and heat.

## Trouble Shooting

If the heater will not operate, please check the following before seeking repair of service:

- Check if the power cord is plugged into an electrical outlet, if not plug in.
- Check if electricity to the main fuse is working.
- Make certain the power switches are turned on. If not, choose a setting.

## Technical specification

- Ratings: 220-240V 50Hz
- Power consumption: 1800W



- Insulation: class 1
- **WEEE:** This product contains recyclable materials. Do not dispose this product as unsorted municipal waste.

Please contact your local municipality for the nearest collection point.

# Maintenance and Care Instructions

- Unplug the unit and let it cool completely.
- To keep the heater clean, the outer shell may be cleaned with a soft, damp cloth. You may use a mild detergent if necessary. After cleaning, dry the unit with a soft cloth.
- **DO NOT** use alcohol, gasoline, abrasive powders, furniture polish, or rough brushes to clean the heater. This may cause damage or deterioration to the surface of the heater.
- Although this heater is outdoor approved, **DO NOT** immerse the heater into water for cleaning for your safety.
- Wait until the unit is completely dry and cools off before use.
- Check all components regularly for correct function, damage and loose connections especially at the start of the season and at 1-2 month intervals dependent on use.
- Damaged components may endanger your safety or shorten the life of the product. Replace all damaged parts immediately. Use only spare parts manufactured by Kettler. Should you wish to purchase spare parts, they can be ordered directly from: [www.kettler.co.uk/shop](http://www.kettler.co.uk/shop)
- Kettler will not be responsible for damaged caused by improper use.

## Storage

- If the heater will not be used for a long period of time, store it in a cool, dry location when not in use. To prevent dust and dirt build-up, use the original packaging to repack the unit.

# KETTLER



[www.kettler.co.uk](http://www.kettler.co.uk)



## Warranty For Home Use

This product is covered by a 12 month warranty against manufacturing faults. This warranty applies to domestic use only. It does not cover commercial use, mis-use or accidental damage.

To validate your warranty, register at [www.kettler.co.uk](http://www.kettler.co.uk) and quote the product code from the front of this booklet.