

# KETTLER

## Panalsol Deluxe

PNFR-0100C - 0500C



### IMPORTANT

PLEASE KEEP THIS BOOKLET FOR FUTURE REFERENCE.  
THIS IS IMPORTANT INFORMATION REGARDING THE USE  
AND CARE OF YOUR PANALSOL DELUXE.

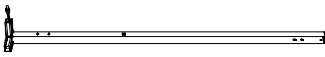

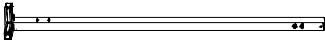

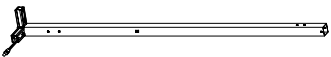

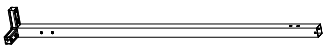




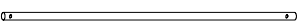

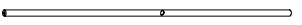
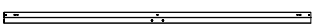


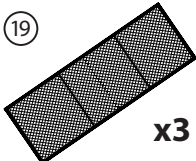

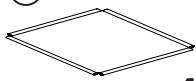
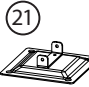
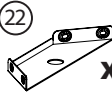
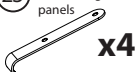




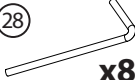
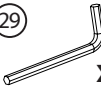


ASSEMBLY  
TIME



PERSONS  
REQUIRED

# Parts List

①  <b>x1</b>	⑪  <b>x1</b>			
②  <b>x1</b>	⑫  <b>x2</b>			
③  <b>x1</b>	⑬  <b>x1</b>			
④  <b>x1</b>	⑭  <b>x3</b>			
⑤  <b>x1</b>	⑮  <b>x20</b>			
⑥  <b>x1</b>	⑯  <b>x8</b>			
⑦  <b>x1</b>	⑰  <b>x8</b>			
⑧  <b>x1</b>	⑱  <b>x4</b>			
⑨  <b>x1</b>	⑲  <b>x3</b>			
⑩  <b>x1</b>		⑳  <b>x4</b>		
⑳  <b>x4</b>	㉒  <b>x4</b>	㉓ Handle for opening and closing roof panels  <b>x4</b>	㉔ M6x25  <b>x8</b>	㉕ M6x15  <b>x66</b>
㉖ M6x35  <b>x25</b>	㉗ M6x75  <b>x9</b>	㉘  <b>x8</b>	㉙  <b>x1</b>	

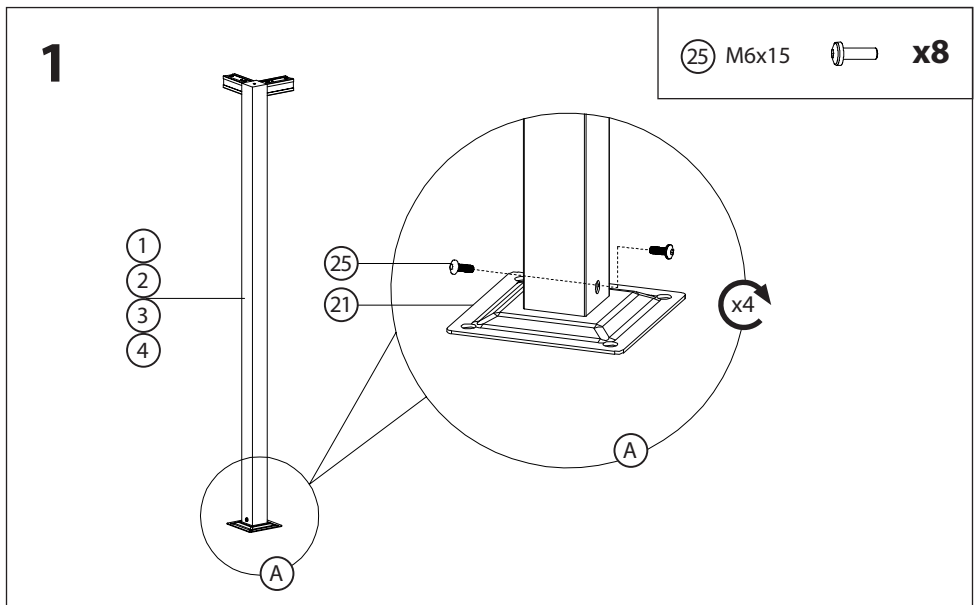


Do not discard any of the packaging until you have checked that you have all the parts and the pack of fixings.

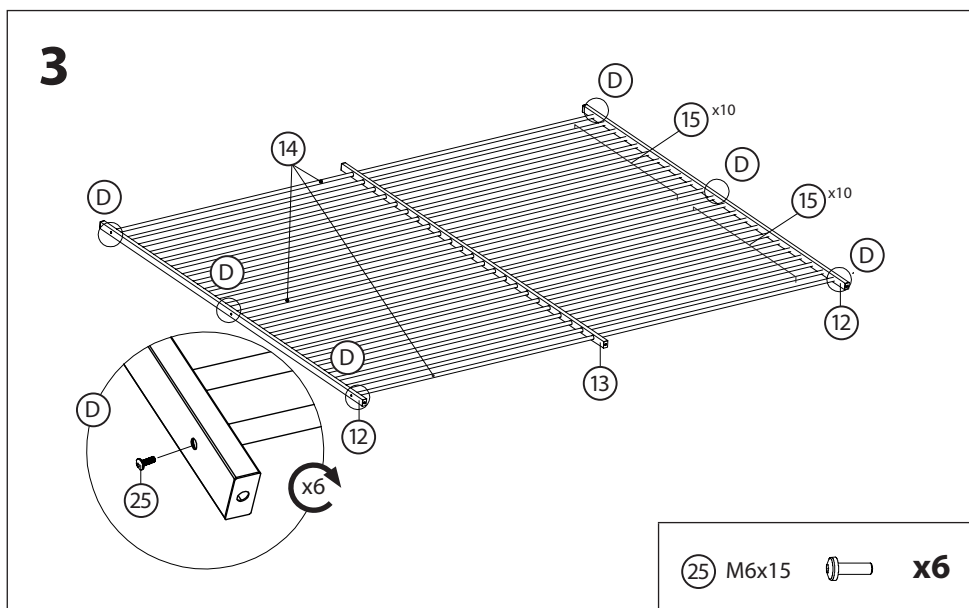
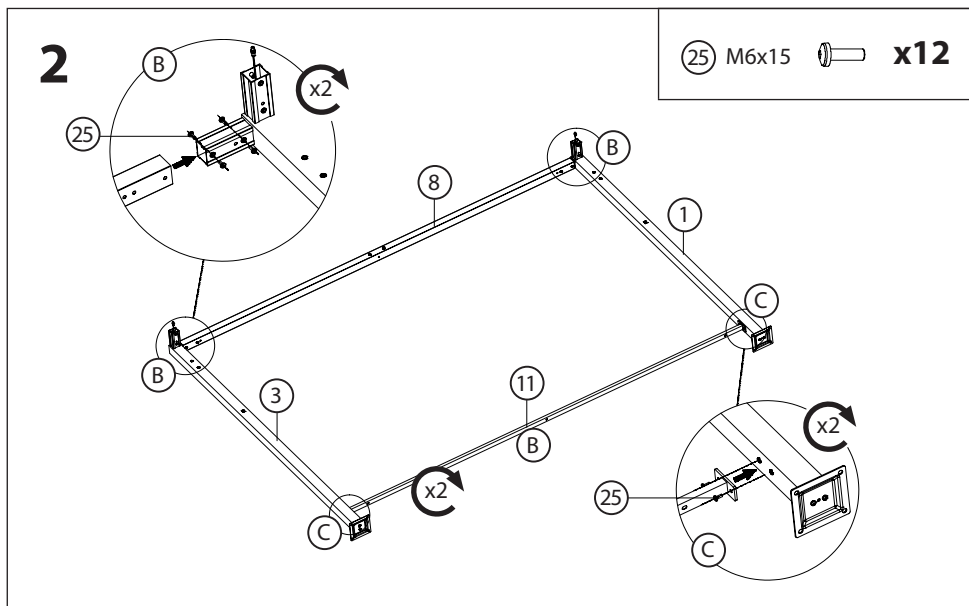
# Assembly

## Helpful advice before you begin:

1. We suggest you spend a short time reading through this leaflet and then follow the simple step by step instructions.
2. Do not discard any of the packaging until you have checked that you have all the parts and the pack of fittings.
3. Assemble this product on a soft surface.
4. To ensure an easier assembly, we strongly advise that all fittings are only finger tightened during initial assembly. Only upon completion of the assembly should all fixing points be fully tightened.
5. We recommend a periodic check on all fixing points to make sure they remain fully tightened.
6. Keep fittings out of children's reach.
7. Do not use any other tools other than those recommended to build this product.
8. Please do not use substitute parts. Use only additional or replacement parts supplied by Kettler.
9. In the unlikely event that this product has missing or damaged parts, please visit our website [www.kettler.co.uk/shop](http://www.kettler.co.uk/shop).

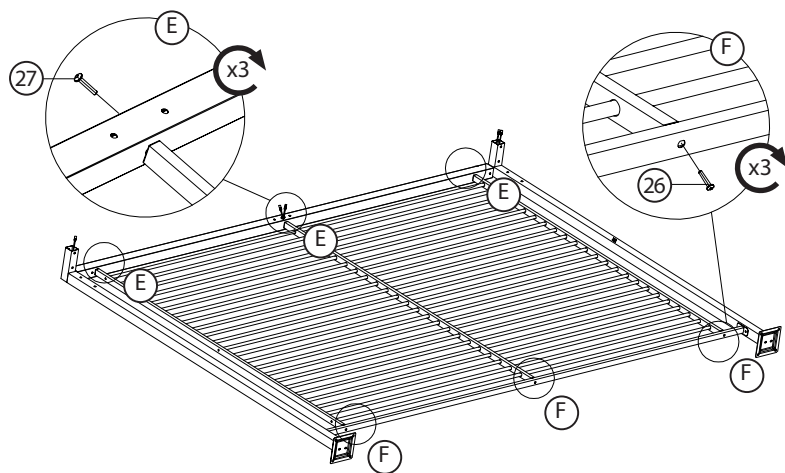


# Assembly




# Assembly

## 4

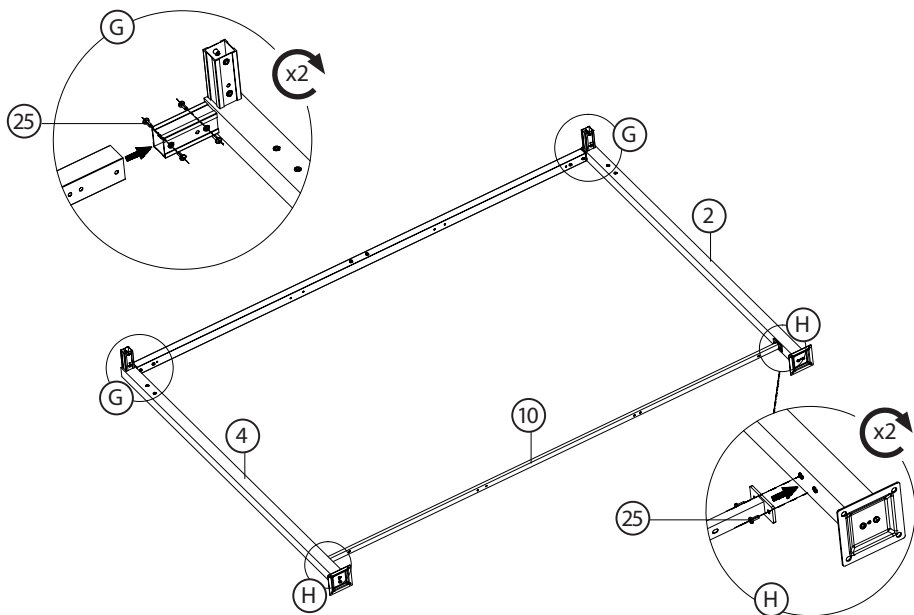


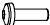
(26) M6x35  **x3**

(27) M6x75  **x3**

# Assembly

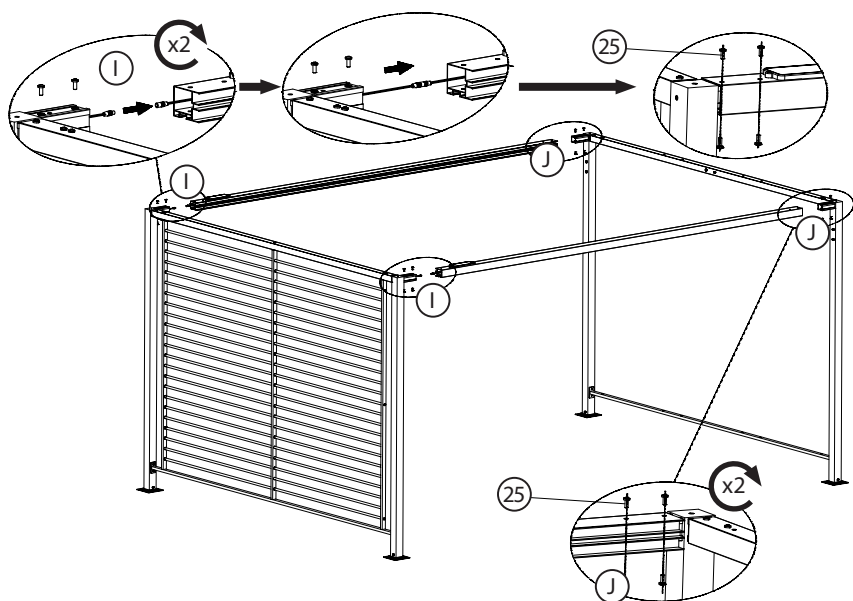
5



(25) M6x15  **x12**

# Assembly

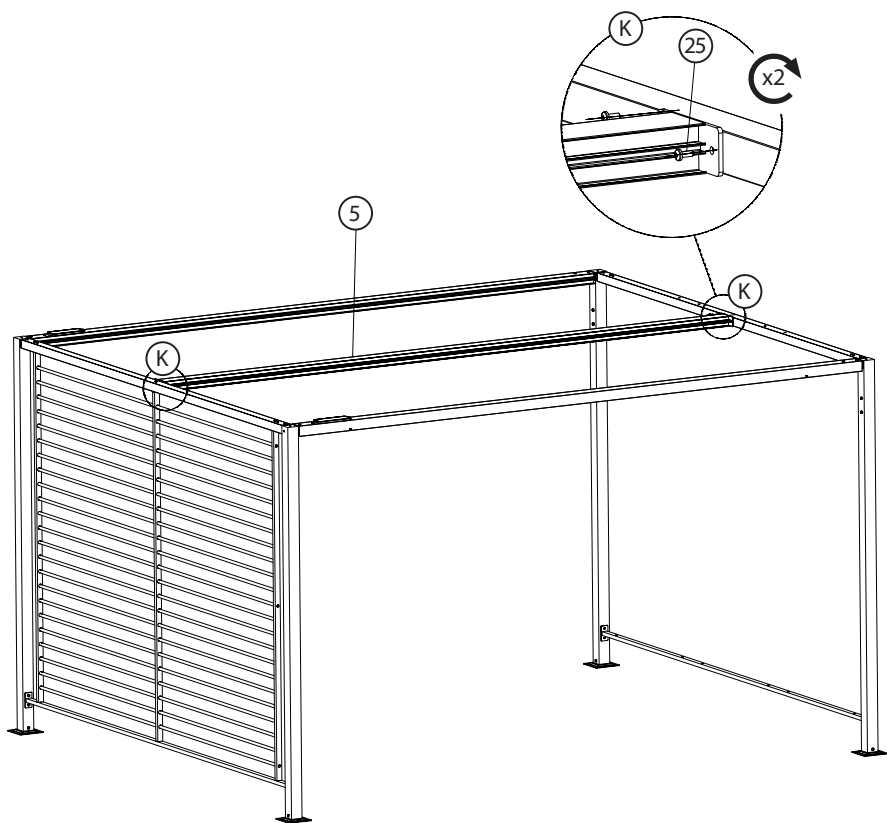
6



(25) M6x15  x16

# Assembly

7




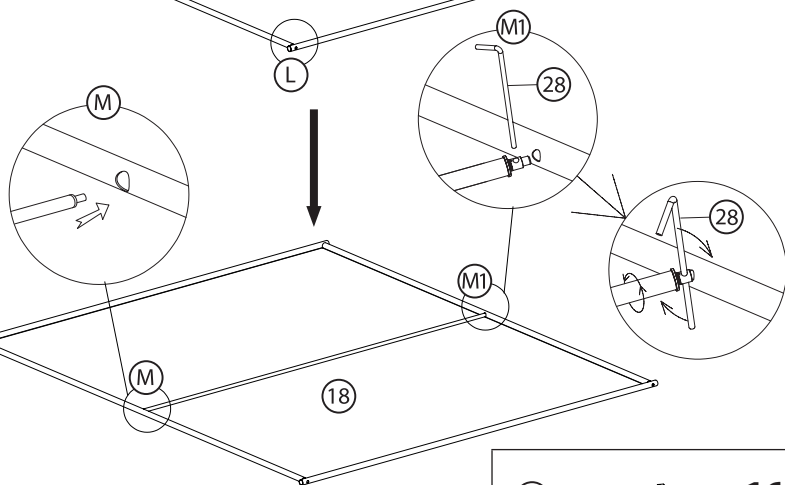
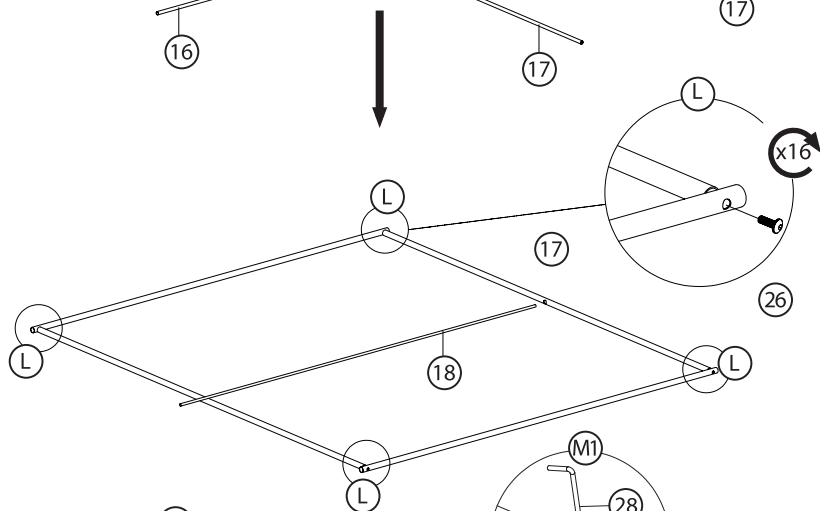
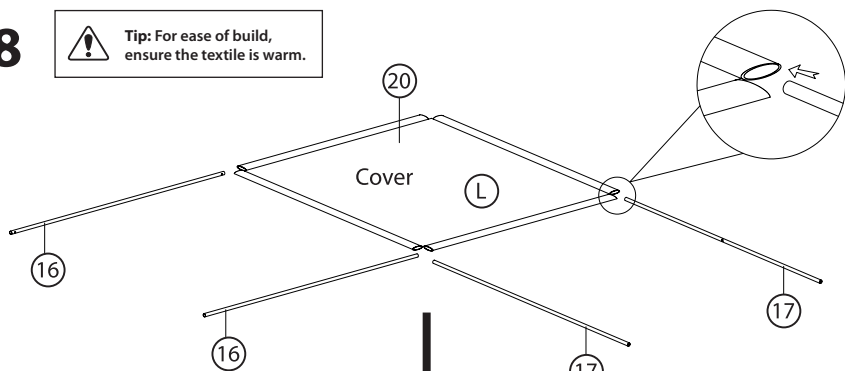
(25) M6x15  **x4**



# Assembly

8

 Tip: For ease of build, ensure the textile is warm.



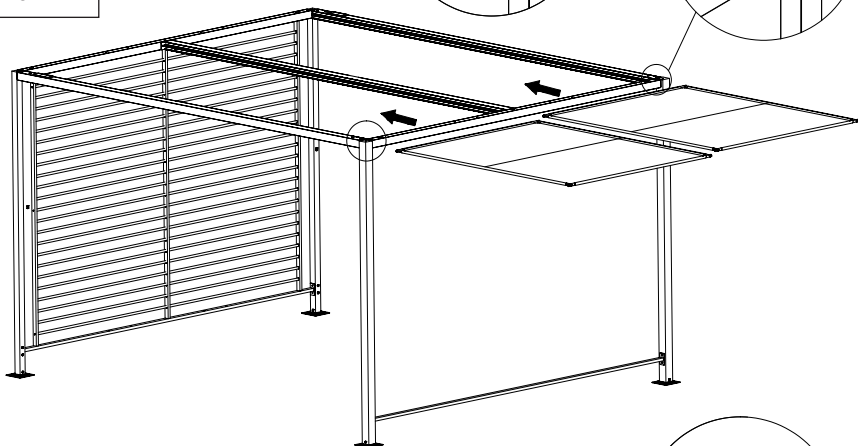
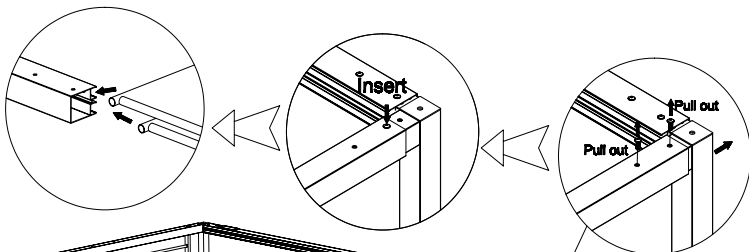
(26) M6x35  **x16**

# Assembly

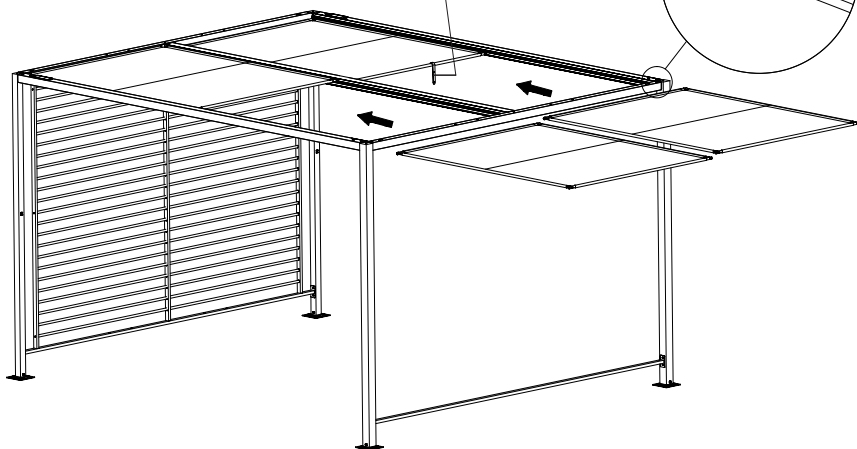
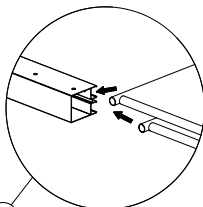
9



Tip: when assembling, be careful not to damage cables.

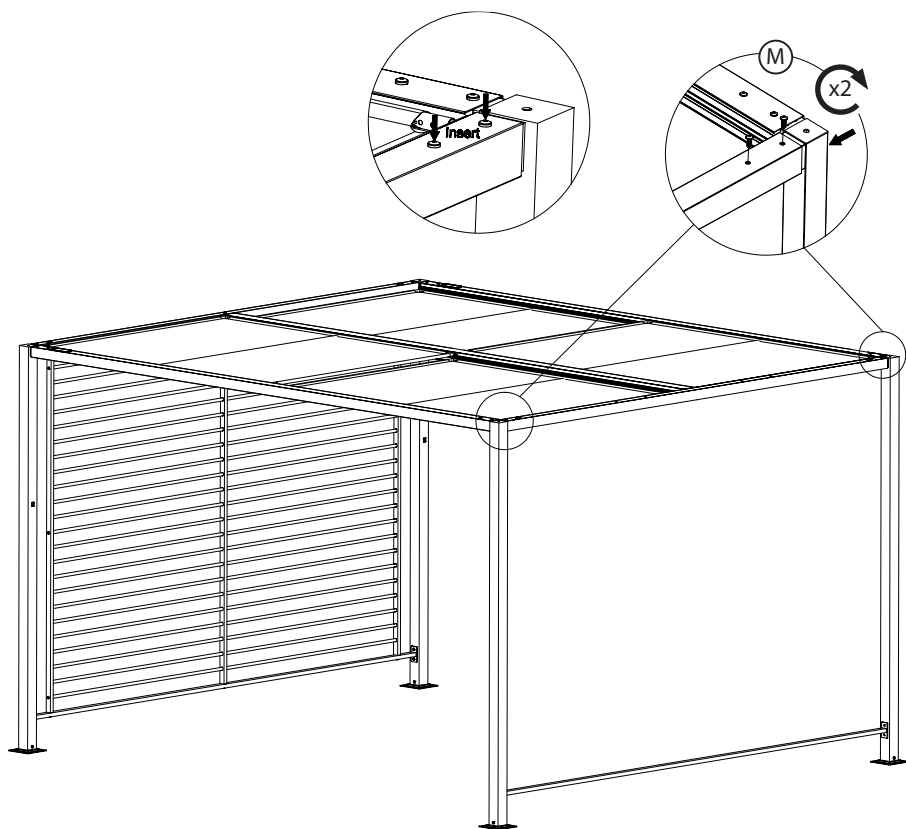


23 Handle for opening & closing roof panels



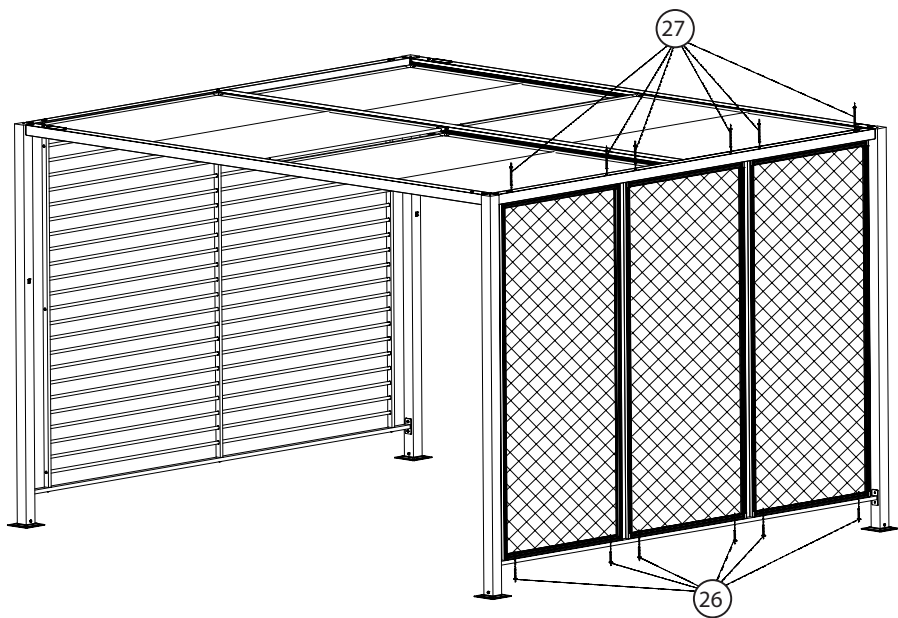
# Assembly

10




# Assembly

11

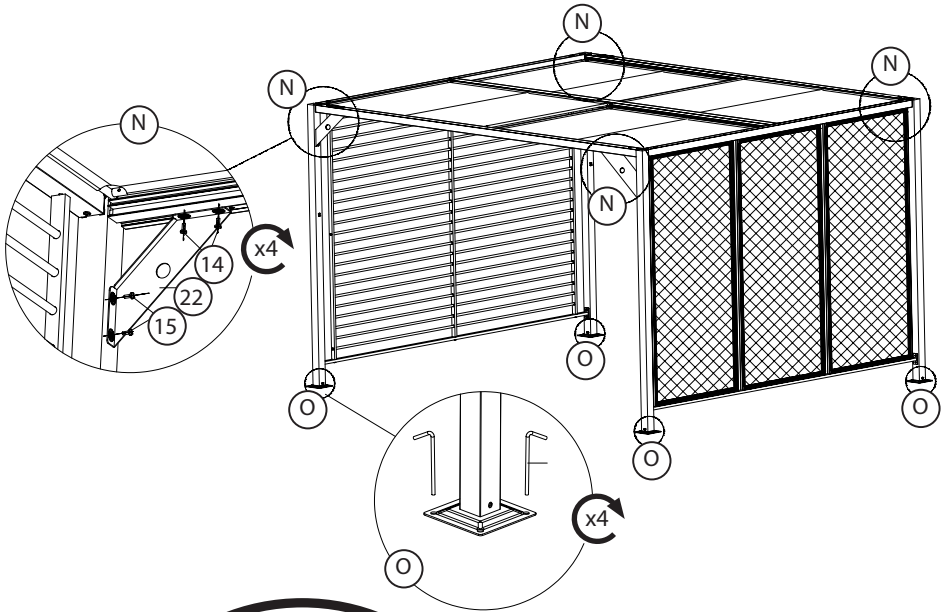


②⑥ M6x35  **x6**

②⑦ M6x75  **x6**

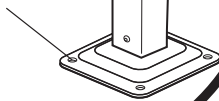
# Assembly

## 12

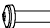


### IMPORTANT

Use appropriate fixings for securing the Panalsol to the ground surface/floor.



25 M6x15  **x8**

27 M6x25  **x8**



# Maintenance and Care Instructions

- For domestic use only. Any other use may affect the warranty.
- Before assembling check whether all parts listed in the parts list have been delivered. Do not start assembling if parts are missing or damaged.
- Assemble the Panalsol under normal weather conditions only. A partly assembled Panalsol is not fully stable in heavy winds or rain.
- A failure to assemble this product correctly could cause damage or result in serious injury!
- Assemble on a flat surface. Before assembling make sure that you have enough space for the procedure.
- A distance of at least two meters is required from buildings, bushes or other objects nearby.
- Keep the assembly instructions available at all times and follow each of the individual steps exactly.
- Before assembling, lay the components down on the ground according to their numbering. This will make the assembly easier.
- During assembly, be careful with all the parts of the assembly (do not walk on them or distort them) and beware of shearing and trapping risks.
- Keep children and pets away while setting up the Panalsol. Store the tubes in a place out of reach of children.
- Never set up in closed rooms. This Panalsol is for outdoor use only.
- Try to place the Panalsol where it is protected from wind.
- Do not light any fires in or near the Panalsol. Move away from fire and barbecues.
- Do not affix any weights to the roof frame or the roof tension loops.
- Where there is strong wind or during the winter months, there may be some movement unless secured to the ground. **The roof panels should be removed during strong wind to avoid damage but also when not in use over the winter months.**
- Please check the fittings on a regular basis and tighten screws if necessary.
- To clean, we recommend the Kettler Multi-purpose cleaner, available to purchase from [www.kettler.co.uk](https://www.kettler.co.uk) or alternatively wash with mild soapy water avoiding any harsh chemicals.
- For advice on removing the roof panels visit <https://www.kettler.co.uk/faqs/>



## Attention

Please be aware that painted/varnished surfaces can be damaged by sunscreens and oil based products. If the surface of your Kettler leisure furniture comes into contact with sunscreens, the surface is to be cleaned without delay as described above. Only in this way can lasting discolouration of the surface by the ingredients of the sunscreen be prevented.

# For Your Safety

- This product may only be used for its intended purpose as furniture for residential properties.
- Check all components regularly for correct function, damage and loose connections especially at the start of the season and at 1-2 month intervals dependent on use.
- Damaged components may endanger your safety or shorten the life of the product. Replace all damaged parts immediately. Use only spare parts manufactured by Kettler. Should you wish to purchase spare parts, they can be ordered directly from: [www.kettler.co.uk/shop](http://www.kettler.co.uk/shop)
- Kettler will not be responsible for damaged caused by improper use.



## Attention

- Whilst assembling this product keep out of the reach of children. (Choking hazard – contains small parts)
- Ensure that your working area is free of possible sources of danger, for example don't leave any tools lying around.
- Always dispose of packaging material in such a way that it may not cause any danger. There is always a risk of suffocation if children play with plastic bags!
- We reserve the right to make changes for technical reasons.

# KETTLER



## Warranty For Home Use

This product is covered by a 3 year warranty against manufacturing faults. This warranty applies to domestic use only. It does not cover commercial use, mis-use or accidental damage.

To validate your warranty, register at [www.kettler.co.uk](http://www.kettler.co.uk) and quote the product code from the front of this booklet.



[www.kettler.co.uk](http://www.kettler.co.uk)