

# KALOS

ADDING WARMTH TO OUTDOOR LIVING

## Plush Electric Overhang Heater

KLEH104-0100-C



### IMPORTANT

PLEASE KEEP THIS BOOKLET FOR FUTURE REFERENCE.  
THIS IS IMPORTANT INFORMATION REGARDING THE USE AND  
CARE OF YOUR HALOGEN HEATER.



ASSEMBLY  
TIME



PERSONS  
REQUIRED

# Important Information

- ⚠️ Unpack the halogen heater making sure that all the items are present and that there are no components left in the box and that the heater head is free from any packing material.
- ⚠️ Using the detailed drawing follow the steps to assemble your halogen heater.
- ⚠️ **DO NOT** connect the halogen heater to the electrical supply until all the assembly is complete.
- ⚠️ **DO NOT** connect the halogen heater to the electrical supply if any of the components or the power cord is damaged in any way.

If in doubt contact your supplier.

## Important advice before you begin:

This appliance is not intended for use by persons (including children) with reduced physical, sensory or mental capabilities or lack of experience and knowledge if they have been given supervision or instruction concerning use of the appliance in a safe way and understand the hazards involved.

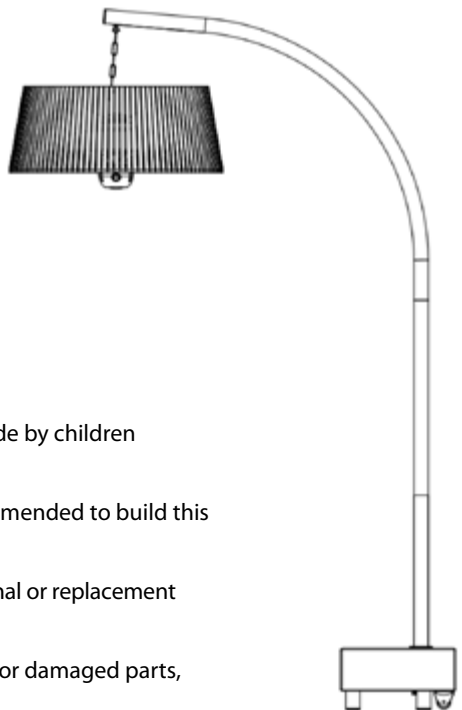
Children should not play with the appliance.

Cleaning and user maintenance should not be made by children without supervision.

Do not use any other tools other than those recommended to build this product.

Please do not use substitute parts. Use only additional or replacement parts supplied by Kettler.

In the unlikely event that this product has missing or damaged parts, please visit our website [www.kettler.co.uk/shop](http://www.kettler.co.uk/shop).



# For Your Safety

## Warning

- This heater is not equipped with a device to control the room temperature. **DO NOT** use this heater in small rooms when they are occupied by persons not capable of leaving the room on their own, unless constant supervision is provided.
- Children of less than 3 years should be kept away unless continuously supervised.
- Children under 8 years shall not plug in, regulate and clean the appliance or perform user maintenance

## Caution

- Some parts of this product can become very hot and cause burns. Particular attention has to be given where children and vulnerable people are present.
- Only use the halogen heater on a firm solid horizontal area where all the feet on the base are in contact with the floor. (Should the heater be tilted or fall over the auto cut off switch will activate)



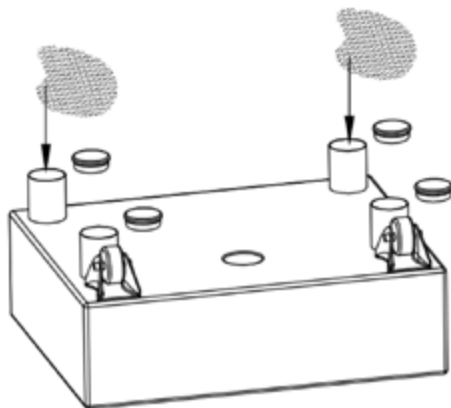
1. Site the heater outside or in a large open area and well away from any obstructions such as branches or where the heater is near any objects that can be effected by heat, such as furniture, curtains or other inflammable objects (minimum distance 1 metre).
2. **DO NOT** use this heater in the immediate surroundings of a bath, a shower or a swimming pool. Do not use near water.
3. **DO NOT** use in unventilated areas
4. **DO NOT** use where gas, petrol, paint or other surely flammable goods are stored.
5. **DO NOT** push any items through, obstruct or cover the grill of the heater head.
6. **DO NOT** position immediately above or below an electrical socket.
7. **DO NOT** move when connected to an electrical supply and always wait for the patio heater to cool down before storing away.
8. **DO NOT** touch the heater head when in use.
9. **DO NOT** leave turned on and unattended especially when children and or animals are in the vicinity.
10. The indication of the different positions of switches shall be visible from a distance of 1M.
11. The Marking concerning covering should be visible after the heater has been installed. It shall not be placed on the back of portable heaters.

# For Your Safety

12. The unit must be placed with the clearance of 100cm to the wall and 30cm to the ceiling.
13. The unit must be correctly installed according to the instructions. Make sure the head is at least 1.8m from the floor.
14. The unit must be securely placed on a horizontal and flat surface.
15. The unit is at high temperature during operation. It keeps hot for a period after shut down. Potential danger would occur when touching it during this period.
16. **DON'T** place the unit close to curtain and/or other flammable objects. Otherwise there will be a danger of catching fire.
17. **DON'T** cover the unit with anything during operation or a short time after it's shut down.
18. **DON'T** wrap the power supply cord on the unit.
19. The unit must be handled with care, and avoid vibration or hitting.
20. The unit must be securely grounded during operation.
21. If the unit gets damaged, it must be repaired by professional electricians with relevant qualifications.
22. When the power supply cord is damaged, it must be replaced by a qualified engineer to avoid danger.
23. **DON'T** use this unit in place where causticity or volatile air exists, i.e. dust, steam, gas, etc.
24. **DON'T** use this unit as a cloth drier or towel drier.
25. **DON'T** use this unit as a sauna heater.
26. **DON'T** use this unit as a room heater.
27. **DON'T** use this unit in place of animal propagating and raising.
28. **DON'T** immerse this unit into water for cleaning.
29. The unit should be plugged in a socket, which is easily visible and reachable.
30. Two Dark points may exist on the surface of the heating elements during the first few minutes after it is turned on. This is normal, and will not affect the performance of the unit.
31. A tilt switch is fitted inside the unit for safety purposes.
32. **DO NOT** use this heater with a programmer, timer or any other device that switches the heater on automatically, since a fire risk exists if the heater is covered or positioned incorrectly.
33. Children should be supervised to ensure that they do not play with the appliance.

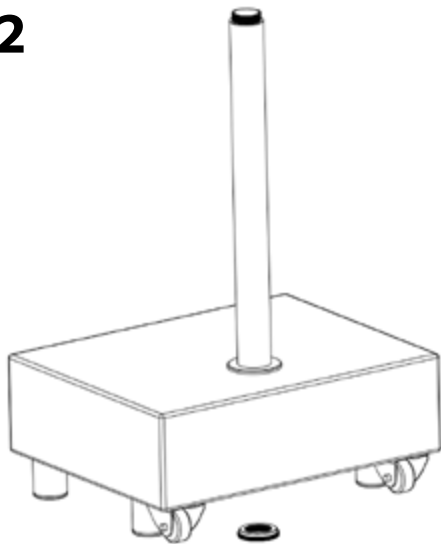
# Assembly

1



- **Step 1:** Fill the base with fine sand, then cover it with four lids.

2

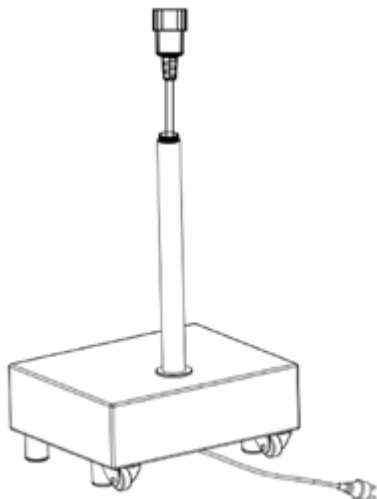


- **Step 2:** Place the bottom tube through base, Then connect them together using the large screw nut.

# Assembly

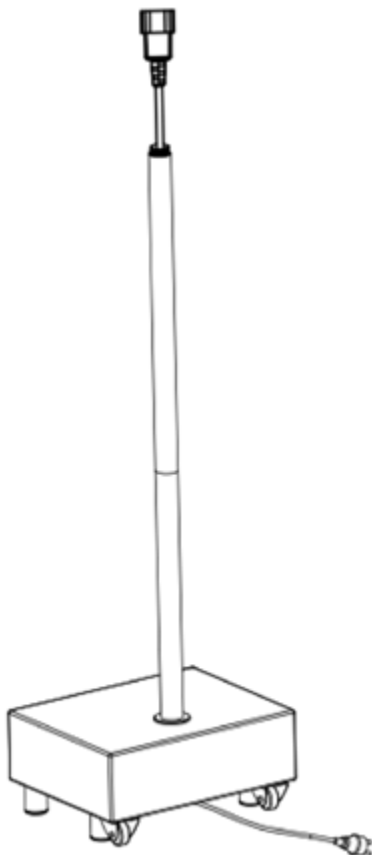
## 3

- **Step 3:** Place the power cord plug through base, bottom tube.



## 4

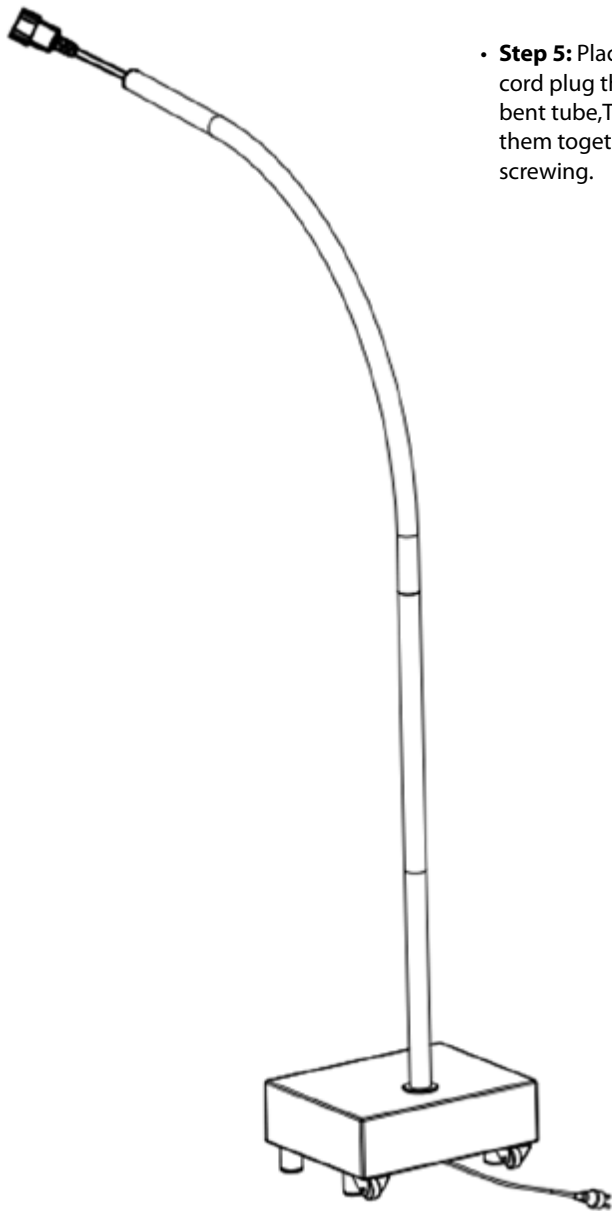
- **Step 4:** Place the power cord plug through the middle tube, Then Connect them together by screwing.



# Assembly

5

- **Step 5:** Place the power cord plug through the bent tube,Then Connect them together by screwing.

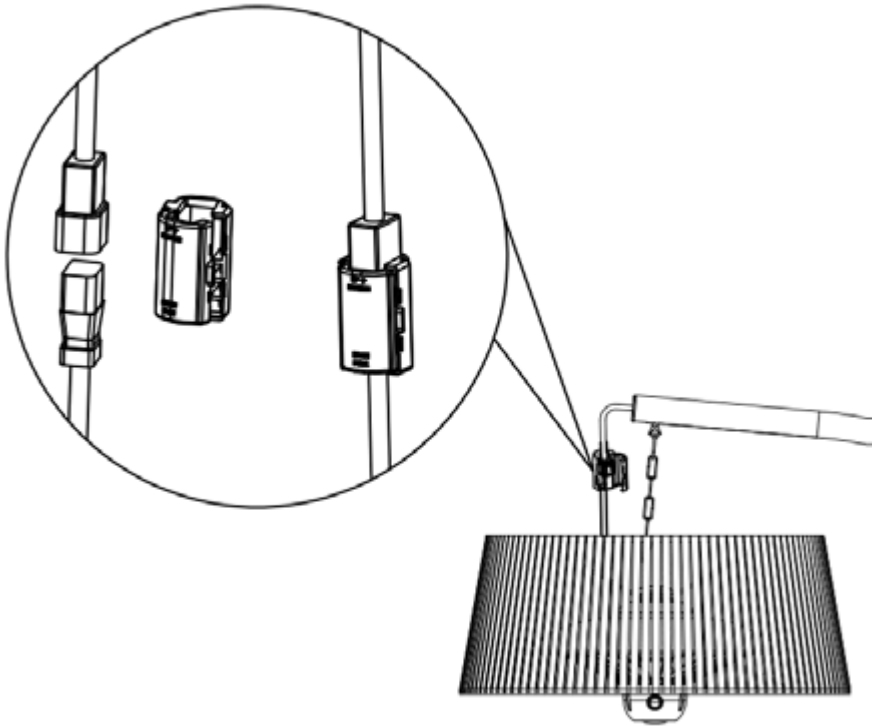


Finished

# Assembly

6

- **Step 6:** Place the heater on the bent tube, Then connect the power cord plug to the socket in the heater head.

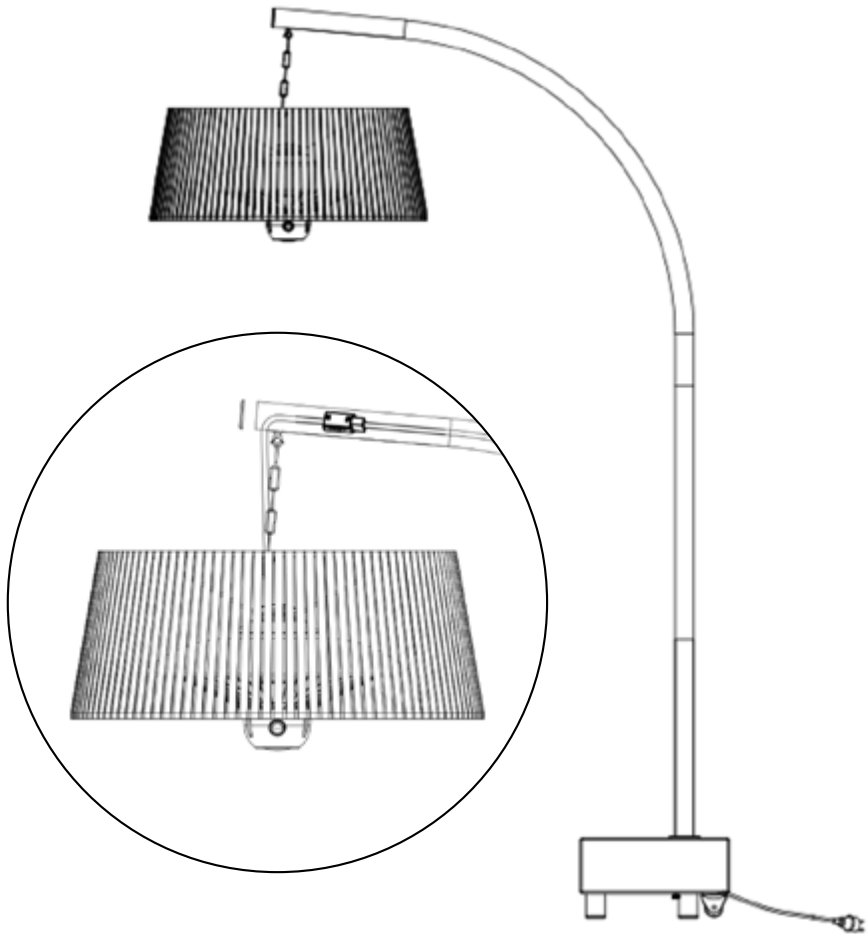




# Assembly

7

- **Step 7:** Place the socket into the bent tube and cover it with a lid.



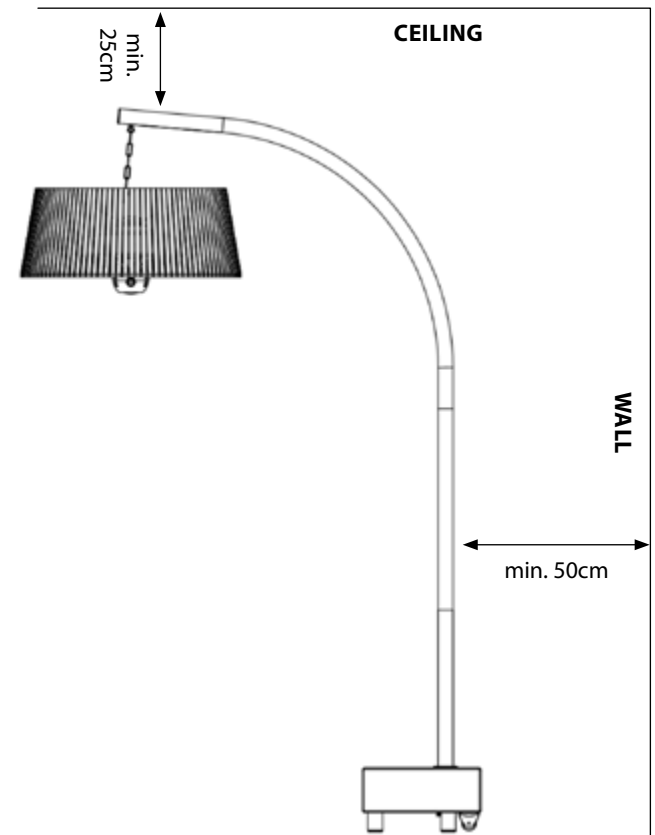
Finished

# Installation

The heater is built with the best quality components in accordance to the prevailing legal regulations and certified for safety in use. For best results, please ensure that the installation is done by a qualified electrician in accordance with the following instructions and taking full account of current regulations. When using the heater, please carefully follow the instructions and recommendations below.

## Minimum required distances of installation:

- 500mm from the side wall
- 250 mm from the ceiling
- Generally heaters must be placed at a safe distance (clear space) of at least 2.0m from combustible materials and glass walls. If installed in workshops or garages where inflammable or combustible paints are used, the heaters must be installed at a distance of at least 4.0m from the source of danger.
- If the heaters are placed in areas where spray painting of any description is taking place, they should not be used during the painting operations.
- Never use the heater in particularly dusty and explosive areas.



# Operating Instructions



**WARNING:** The heater must be properly installed before it is used.  
This unit is equipped with two heat settings.

Connect the power cable to a 13 amp supply that is located in a safe, dry area.

- A.** Plug the Patio Heater into a grounded 230V, 50-60 Hz power outlet
- B.** Only operate the heater when it is in the upright position.
- C.** Our Electric Patio Heater is equipped with two heat settings

## Remote Control Instructions

- Press the touch switch once for low heat (800W).
- Press the touch switch twice for high heat (1800W)
- Press the touch switch three times to turn the heater off and LED on.
- Press the touch switch four times for high heat and LED.
- Press the touch switch five times to turn all off

## Trouble Shooting

If the heater will not operate, please check the following before seeking repair of service:

- Check if the power cord is plugged into an electrical outlet, if not plug in.
- Check if electricity to the main fuse is working.
- Make certain the power switches are turned on. If not, choose a setting.

## Technical specification

- Ratings: 220-240V 50Hz
- Power consumption: 800/1800W
- Height: 230CM
- Insulation: class 1



**WEEE:** This product contains recyclable materials. Do not dispose this product as unsorted municipal waste.

Please contact your local municipality for the nearest collection point.

# Maintenance and Care Instructions

- Unplug the unit and let it cool completely.
- To keep the heater clean, the outer shell may be cleaned with a soft, damp cloth. You may use a mild detergent if necessary. After cleaning, dry the unit with a soft cloth.
- **DO NOT** use alcohol, gasoline, abrasive powders, furniture polish, or rough brushes to clean the heater. This may cause damage or deterioration to the surface of the heater.
- Although this heater is outdoor approved, **DO NOT** immerse the heater into water for cleaning for your safety.
- Wait until the unit is completely dry and cools off before use.
- Check all components regularly for correct function, damage and loose connections especially at the start of the season and at 1-2 month intervals dependent on use.
- Damaged components may endanger your safety or shorten the life of the product. Replace all damaged parts immediately. Use only spare parts manufactured by Kettler. Should you wish to purchase spare parts, they can be ordered directly from: [www.kettler.co.uk/shop](http://www.kettler.co.uk/shop)
- Kettler will not be responsible for damaged caused by improper use.

## Storage

- If the heater will not be used for a long period of time, store it in a cool, dry location when not in use. To prevent dust and dirt build-up, use the original packaging to repack the unit.

# KETTLER



[www.kettler.co.uk](http://www.kettler.co.uk)



## Warranty For Home Use

This product is covered by a 12 month warranty against manufacturing faults. This warranty applies to domestic use only. It does not cover commercial use, mis-use or accidental damage.

To validate your warranty, register at [www.kettler.co.uk](http://www.kettler.co.uk) and quote the product code from the front of this booklet.