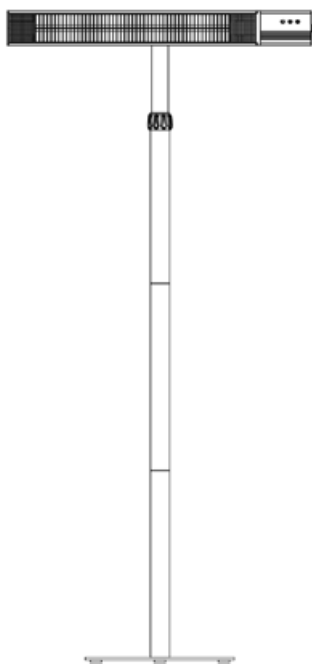


KALOS

ADDING WARMTH TO OUTDOOR LIVING

Ibiza Free Standing Heater

KLEH162-0600



IMPORTANT

PLEASE KEEP THIS BOOKLET FOR FUTURE REFERENCE.
THIS IS IMPORTANT INFORMATION REGARDING THE USE AND
CARE OF YOUR HALOGEN HEATER.







ASSEMBLY
TIME



PERSONS
REQUIRED

Important Information

-  Unpack the halogen heater making sure that all the items are present and that there are no components left in the box and that the heater head is free from any packing material.
-  Using the detailed drawing follow the steps to assemble your halogen heater.
-  **DO NOT** connect the halogen heater to the electrical supply until all the assembly is complete.
-  **DO NOT** connect the halogen heater to the electrical supply if any of the components or the power cord is damaged in any way.

If in doubt contact your supplier.

Important advice before you begin:

This appliance is not intended for use by persons (including children) with reduced physical, sensory or mental capabilities or lack of experience and knowledge if they have been given supervision or instruction concerning use of the appliance in a safe way and understand the hazards involved.

Children should not play with the appliance.

Cleaning and user maintenance should not be made by children without supervision.

Do not use any other tools other than those recommended to build this product.

Please do not use substitute parts. Use only additional or replacement parts supplied by Kettler.

In the unlikely event that this product has missing or damaged parts, please visit our website www.kettler.co.uk/shop.

For Your Safety

Warning

- This heater is not equipped with a device to control the room temperature. **DO NOT** use this heater in small rooms when they are occupied by persons not capable of leaving the room on their own, unless constant supervision is provided.



- Children of less than 3 years should be kept away unless continuously supervised.
- Children aged from 3 years and less than 8 years shall not plug in, regulate and clean the appliance or perform user maintenance.

Caution

- Some parts of this product can become very hot and cause burns. Particular attention has to be given where children and vulnerable people are present.
- If the supply cord is damaged, it must be replaced by the manufacturer, its service agent or similarly qualified person in order to avoid a hazard.
- The heater must not be located immediately below an electrical socket-outlet.
- Don't use this heater in the immediate surroundings of a bath, a shower or a swimming pool.



- In order to avoid a hazard due to inadvertent resetting of the thermal cut-out, this appliance must not be supplied through an external switching device, such as a timer or connected to a circuit that is regularly switched on and off by utility.
- Only use the halogen heater on a firm solid horizontal area where all the feet on the base are in contact with the floor. (Should the heater be tilted or fall over the auto cut off switch will activate)

For Your Safety

1. Site the heater outside or in a large open area and well away from any obstructions such as branches or where the heater is near any objects that can be effected by heat, such as furniture, curtains or other inflammable objects (minimum distance 1 meter).
2. **DO NOT** push any items through, obstruct or cover the grill of the heater.
3. Suggest follow the standard statement: The heater must not be located immediately below a socket outlet.
4. **DO NOT** move when connected to an electrical supply and always wait for the patio heater to cool down before storing away.
5. **DO NOT** touch the heater when in use.
6. The indication of the different positions of switches shall be visible from a distance of 1m.
7. The unit must be placed with the clearance of 100cm to the wall.
8. **DON'T** place the unit closed to curtain and/or other flammable objects. Otherwise there will be a danger of catching fire.
9. **DON'T** wrap the power supply cord on the unit.
10. The unit must be handled with care, and avoid vibration or hitting.
12. If the unit gets damaged, it must be repaired by professional electricians.
13. The unit is for household use only. It is not safe to use on a building site, greenhouse, barn or stable where there's flammable dust.
14. The head of the unit is at high temperature during operation. Unplug the unit and wait until it cools before cleaning.
15. **DON'T** use this unit in a place where causticity or volatile air exists, i.e. dust, steam, gas, etc.
16. **DON'T** use this unit as a cloth drier or towel drier.
17. **DON'T** use this unit in place of animal propagating and raising.
18. **DON'T** immerse this unit into water for cleaning.
19. The unit should be plugged into a socket, which is easily visible and reachable.
20. One dark point may exist on the surface of the heating elements during the first few minutes after it is turned on. This is normal, and will not affect the performance of the unit.
21. **DO NOT** use this heater with a programmer, timer, separate remote-control system or any other device that switches the heater on automatically, since a fire risk exists if the heater is covered or positioned incorrectly.
22. This appliance is not intended for use by a person (including children) with reduced physical, sensory or mental capabilities, or lack of experience and knowledge, unless they have been given supervision or instruction concerning use of the appliance by a person responsible for their safety.

For Your Safety

23. Children should be supervised to ensure that they do not play with the appliance. order to avoid a hazard.
24. If the supply cord is damaged, it must be replaced by the manufacturer, its service agent or similarly qualified persons in

Warning

- These appliances must be earthed.
- Before installing or replacing the bulb, the appliance must be always being disconnected from the 220-240V supply.

Ibiza Freestanding Heater is built with the best quality components in accordance to the prevailing legal regulations and certified for safety in use. For best results from the appliance please ensure that the installation is done by a qualified electrician in accordance with the following instructions and taking full account of current regulations. When using the heater, please carefully follow the instructions and recommendations below.

Connection to 220-240 Volts Power Supply

It is important to ensure that the electricity supply is of adequate capacity for the electrical load required by the appliance being installed.

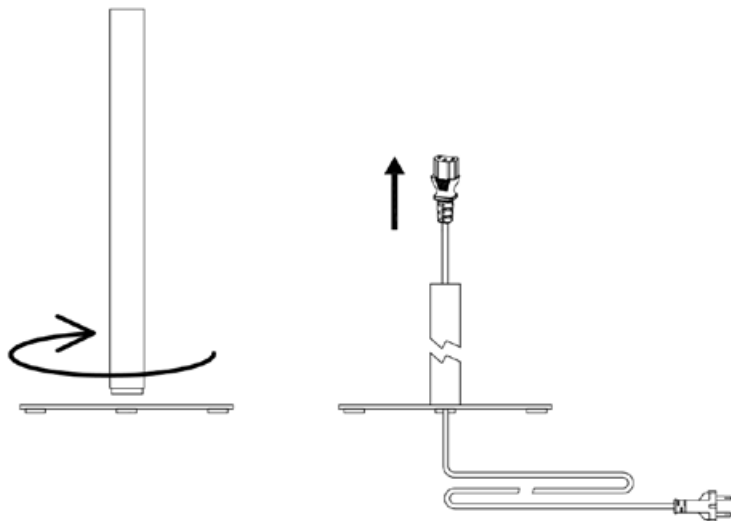
- Installation.

Minimum required distances:

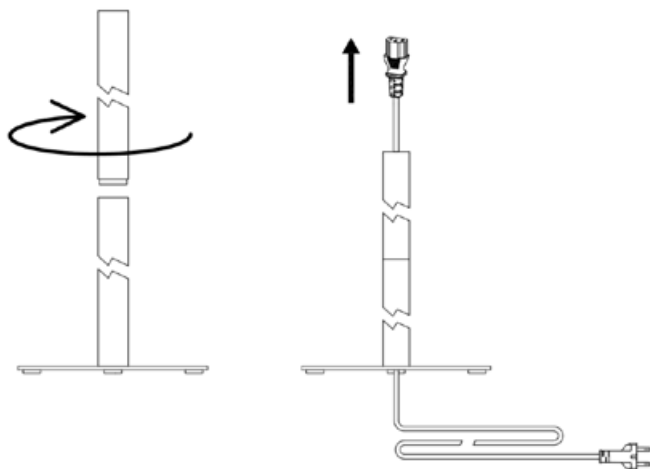
- 500mm from the side wall
- 500 mm from the ceiling
- Generally heaters must be placed at a safe distance (clear space) of at least 2.0m from combustible materials and glass walls. If installed in workshops or garages where inflammable or combustible paints are used, the heaters must be installed at a distance of at least 4.0m from the source of danger.
- If the heaters are placed in areas where spray painting of any description is taking place, they should not be used during the painting operations.
- Never use the heater in particularly dusty and explosive areas.

Assembly

1. Fix the bottom tube onto the base by screwing.

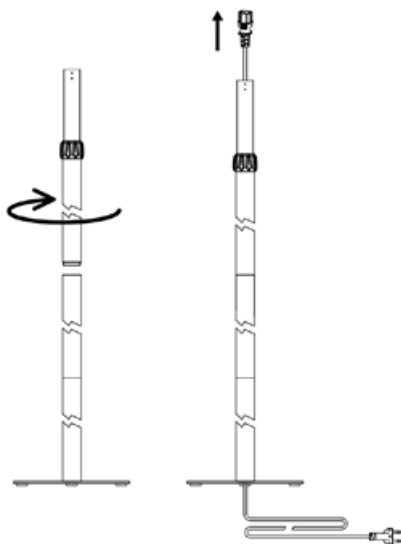


2. Connect the middle tube with bottom tube by screwing them together.

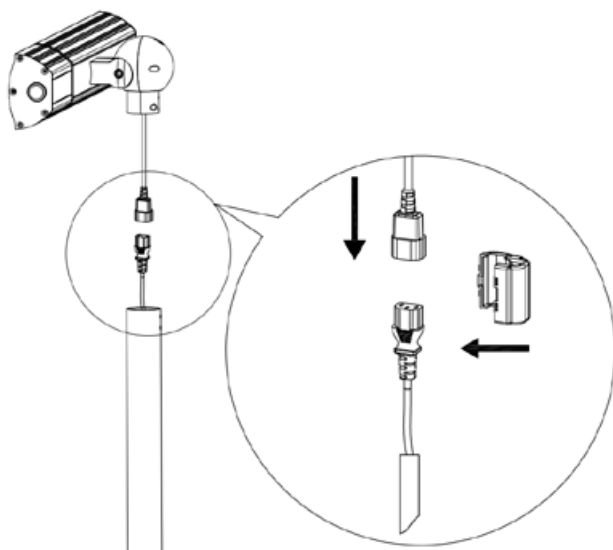


Assembly

- 3.** Connect the top tube with middle tube by screwing them together (as same as Step2).

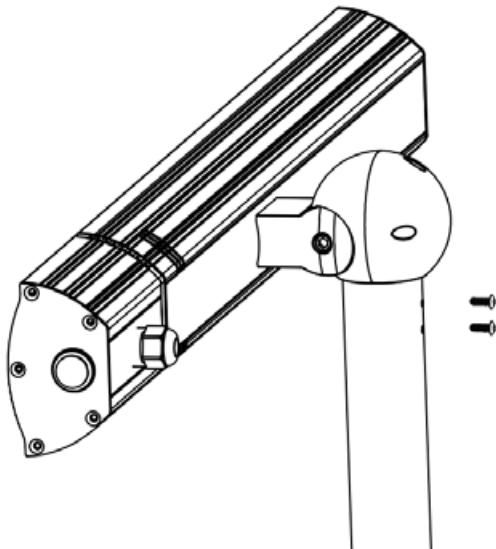


- 4.** Place the power cord plug through the base, bottom tube, middle tube and top tube. Connect the power cord plug to the socket in the heater head.

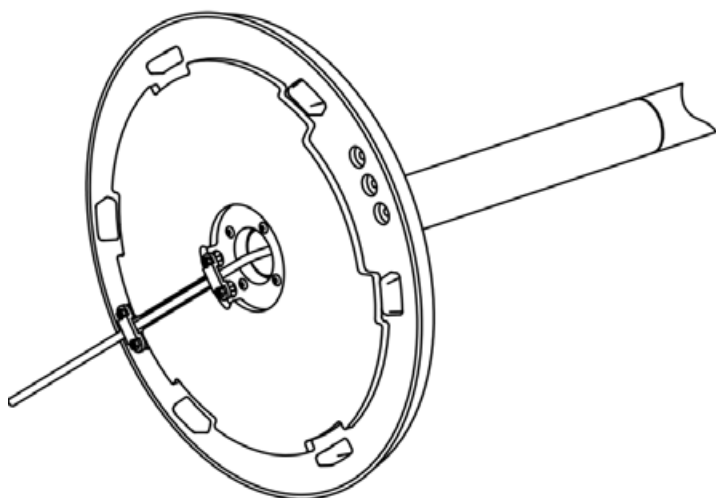


Assembly

- 5.** Insert the Heater Head onto the top tube and fix in position using the 4*8mm screws.

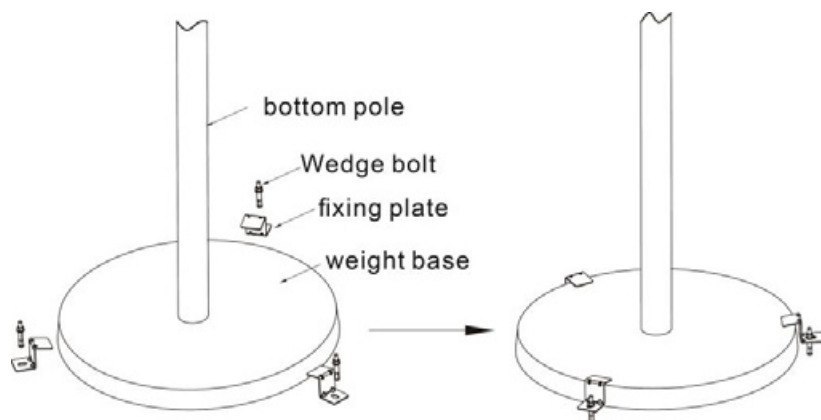


- 6.** Fix the Power Cord on the Base by using the 4*M4 screws.

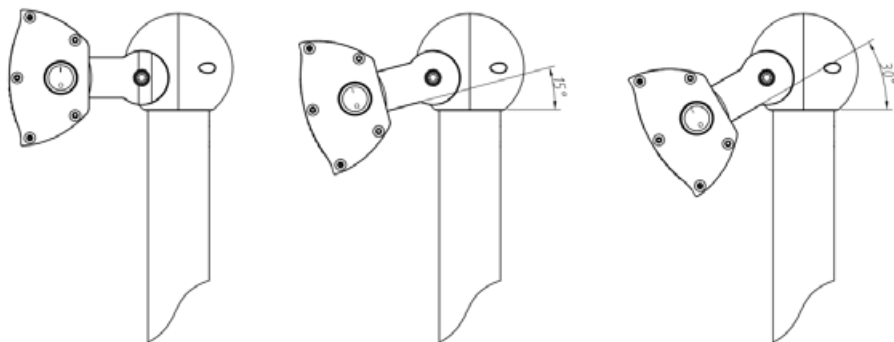


Assembly

- 7.** Fix the heater to the ground by screwing via the fixing plates.







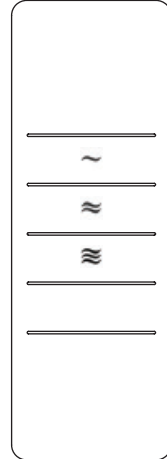
- 8.** Loosen the two M6*10 screws by the L hexagonal wrench to change the best angle of the heating head, then retighten them.






Operation

Connect the power cable to a 220-240V 13amp supply that is located in a safe, dry area.

- Press “” to turn the heater on
- Press  on the panel for low setting (800W)
- Press  on the panel for the medium setting (1600W)
- Press  on the panel for the high setting (2500W)
- Press again to switch off the heater.



Remote Control Operation

- Touch the  for the low setting (800W)
- Touch the  for the medium setting (1600W)
- Touch the  for the high setting (2500W)
- Press again to turn off.

Operation

Care and Maintenance

- When disconnected from the electrical supply, clean the outside of the patio heater with a damp cloth. Never use corrosive or solvent cleaners or immerse in water.
- Any maintenance or repairs including replacing the halogen tube should only be carried out by a qualified electrician or by a recommended service center.

Storage

If the heater will not be used for a long period of time, store, it in a cool, dry location, to prevent dust and dirt build-up, use the original packaging to repack the heater.

Technical Specification

- Ratings: 220-240V 50Hz
- Wattage max: 2500W
- Insulation: class 1



This product contains recyclable materials. Do not dispose this product as unsorted municipal waste. Please contact your local municipality for the nearest collection point.

Maintenance and Care Instructions

- When disconnected from the electrical supply, clean the outside of the patio heater with a damp cloth. Never use corrosive or solvent cleaners or immerse in water.
- Any maintenance or repairs including replacing the halogen tube should only be carried out by a qualified electrician or by a recommended service center.
- Check all components regularly for correct function, damage and loose connections especially at the start of the season and at 1-2 month intervals dependent on use.
- Damaged components may endanger your safety or shorten the life of the product. Replace all damaged parts immediately. Use only spare parts manufactured by Kettler. Should you wish to purchase spare parts, they can be ordered directly from: **www.kettler.co.uk/shop**
- Kettler will not be responsible for damaged caused by improper use.

Storage

- If the heater will not be used for a long period of time, store it in a cool, dry location when not in use. To prevent dust and dirt build-up, use the original packaging to repack the unit.

KETTLER



www.kettler.co.uk



Warranty For Home Use

This product is covered by a 12 month warranty against manufacturing faults. This warranty applies to domestic use only. It does not cover commercial use, mis-use or accidental damage.

To validate your warranty, register at **www.kettler.co.uk** and quote the product code from the front of this booklet.