

KETTLER

elba Fire Pit Station

0393115-0200



IMPORTANT

PLEASE KEEP THIS BOOKLET FOR FUTURE REFERENCE.
THIS IS IMPORTANT INFORMATION REGARDING THE USE AND
CARE OF GAS FIRE PIT.

Index

WARNING

**This appliance is intended for decorative purposes.
For Outdoor use only.**

**Keep the instructions for future reference.
Read the instructions before installation and use.
For gas adjustment refer to Appliance Marking.**

This manual book is for 30mbar version,
Maximum gas bottle size including regulator: 390mm

Index

Safety Warnings	3 - 10
Gas (LPG) Warnings	7
Technical data	11
Exploded View	11
Installation	13
Instruction for connecting gas circuit to LPG cylinder	14-15
Operating Instructions	16
Leakage Testing	16
Maintenance and Cleaning	17
Troubleshooting	18-19
Storage (after use)	20

Safety Warnings

Warning

- Do not modify the appliance
- Do not move the appliance during use
- Turn off the gas supply at the gas container after every use
- Accessible parts may be very hot. Keep young children away
- The appliance should not be used in basements or below ground level
- The appliance must only be used for space heating



Warning

THIS APPLIANCE HAS A NAKED FLAME; A SUITABLE GUARD SHOULD BE USED FOR THE PROTECTION OF YOUNG CHILDREN, THE ELDERLY AND THE INFIRM.



DANGER



CARBON MONOXIDE HAZARD

This appliance can produce carbon monoxide which has no odor.

Using it in an enclosed space can kill you.

Never use this appliance in an enclosed space such as a camper, tent or home.

ATTENTION: This appliance is fitted with flexible gas rubber pipe and clamps that must be used; never use a different kind and always according to the National Rules in force of the country of destination. These components should be periodically substituted, according to the date reported on the body of each of them, or according to the National Rules in force of the country of destination.

Safety Warnings

WARNING



Failure to heed the Dangers, Warnings and Cautions contained in this Owner's Manual may result in a serious explosion causing damage to property, bodily injury.

GENERAL WARNINGS FOR OUTDOOR USE ONLY DO NOT SIT OR STAND ON TABLE

WARNING - For your safety

If the information in this manual is not followed exactly, a fire or explosion may result causing property damage, personal injury or loss of life.

IMPORTANT NOTICE: read and understand all warnings and precautions prior to assembly and use for your fireplace table.

DANGER: Failure to follow the dangers, warning and cautions in this manual may cause a fire or explosion causing damage to property, serious bodily injury or death.

- Read the instructions before using this appliance. The appliance must be installed in accordance with the instructions and local regulations.
- Minimum Clearance From Unit To Combustible Material: 72" (182.9cm) from the top; 36" (91.5cm) from all sides and back.
- Do not locate this appliance under overhead unprotected combustible surfaces.

IF YOU SMELL GAS:

1. Shut off gas supply to the fireplace table.
 2. Extinguish any open flame.
 3. Do not try lighting any appliance.
 4. Do not touch any electrical switch nor use any phone in the area.
 5. Immediately call your gas supplier from a neighbor's phone.
 6. Follow the gas supplier's instructions.
 7. If you cannot reach your gas supplier, call the fire department.
- Improper installation, adjustment, alteration, service or maintenance can cause injury or property damage. Read the installation, operation and maintenance instructions thoroughly before installing or servicing this equipment.
 - Keep these instructions for future reference. If you are assembling this unit for someone else, give this manual to them to read and keep for future reference.
 - This gas fireplace should ONLY be used outdoors in a well-ventilated space and should NOT be used inside a building, garage, or any other enclosed area.

Safety Warnings

- **DO NOT** use this outdoor gas fireplace for indoor heating. TOXIC carbon monoxide fumes can accumulate and cause asphyxiation.
- **NEVER** leave this gas fireplace unattended when in use.
- Children and adults should be alerted to the hazards of high surface temperatures and kept at a safe distance while fireplace is in use.
- **DO NOT** operate light or use this fireplace table within 8 feet of walls, structures or building.
- Storage of this fireplace table indoors is permissible only if it has been disconnected from its fuel supply (LP gas cylinder).
- Gloves are highly recommended to be used while moving this appliance, to protect your hands.
- Any sealed parts by manufacturer or agent cannot be altered by the user
- **DO NOT** store or use gasoline or other flammable vapors and liquids within 25 feet (7.62m) of this or any other appliance.
- **DO NOT** store any combustible materials in the base enclosure.
- The use of alcohol, prescription or non-prescription drugs may impair an individual's ability to properly assemble or safely operate this fireplace table.
- **DO NOT** use in an explosive atmosphere. Keep gas fireplace table area clear and free from combustible materials, gasoline and other flammable vapors and liquids.
- This outdoor fireplace table is **NOT** to be operated by children. Young children should be closely supervised when in the vicinity of this outdoor fireplace.
- Always use in accordance with all applicable UK Regulations. Contact your local fire department for details on outdoor fires.
- Use the same precautions you would with any open fire with this outdoor fireplace table
- **DO NOT BURN SOLID FUELS** such as: wood, charcoal briquettes, lump charcoal, manufactured logs, driftwood, trash, leaves, paper, cardboard, plywood, painted or stained or pressure treated wood in this outdoor fireplace table.
- **DO NOT** alter this outdoor fireplace in any manner.
- **DO NOT** use this outdoor fireplace table until it is COMPLETELY assembled and all parts are securely fastened and tightened.
- **DO NOT** store another LP gas tank within 10 feet (3.05 m) of this outdoor fireplace table while it is in operation.
- **DO NOT** use this outdoor fireplace table near automobiles, trucks, vans boats or recreational vehicles.
- **DO NOT** use this outdoor fireplace table under any overhead or near any unprotected combustible materials. Avoid using near or under overhanging trees and shrubs.
- Always use this outdoor fireplace table on a hard, level, non-combustible surface such as a concrete, rock or stone. An asphalt or blacktop surface may not be acceptable for

Safety Warnings

this purpose.

- **DO NOT** use this outdoor fireplace table if any part has been under water. Immediately call a qualified service technician to inspect the fireplace table and to replace any part or control system and any gas control which has been under water.
- **DO NOT** wear flammable or loose clothing when operating this outdoor fireplace table.
- **DO NOT** use in windy conditions.
- Keep all electrical cords away from a hot outdoor fireplace table.
- Certain areas of this outdoor fireplace table will become too hot to touch during and after use. Do not touch hot surfaces until the unit has cooled unless you are wearing protective gear such as insulated pot holders or heat resistant gloves or mittens to avoid burns.
- Children and adults should be alerted to the hazards of high surface temperatures and should stay away to avoid burns or clothing ignition.
- **DO NOT** hang or place clothing or other flammable materials on or near the gas fireplace table.
- Any guard or other protective device removed for servicing the fireplace table must be re-placed prior to operation.
- **DO NOT** attempt to move or store this outdoor fireplace table until all parts are cool.
- **DO NOT** lean over this outdoor fireplace table when lighting or when in use.
- Use only the regulator and hose assembly provided. Use only replacement regulator and hose assemblies specified by the manufacturer.
- Storage of this outdoor fireplace table indoors is permissible only if the tank is disconnected, removed from the outdoor fireplace and properly stored outdoors.
- **DO NOT** attempt to disconnect the gas regulator from the tank or any gas fitting while the outdoor fireplace table is in use.
- Always shut off gas supply at the tank valve and disconnect regulator from the tank when the fireplace table is not in use.
- **DO NOT** sit on the table when the unit is in operation.
- **DO NOT** throw anything onto the fire when the unit is in operation.
- Lava rocks are **very hot** and can **expolde**; please keep children or pets away at a safe distance.
- It is essential to keep the outdoor fireplace table valve compartment, burners, and circulating air passages clean. Inspect outdoor fireplace table for debris before each use.
- Prior to each gas fireplace table operation, check the hose for evidence of excessive abrasion or wear by looking through the visual check hole. If the hose is damaged, cut or cracked, it must be replaced before using the gas fireplace table. The hose assembly can only be replaced by a hose assembly specified by the manufacturer.

Safety Warnings

- Before each use, remove the lava rocks. Examine the burner and its components. If dirty, clean with a soft brush and soapy water solution. Also examine the area around the burner. Any dirt or foreign material, such as spider webs or nests in this area should be removed. If it is evident that the burner is damaged, it must be replaced before the gas fireplace table is used.
- The burner assembly can only be replaced by a burner specified by the manufacturer. Place the hose out of the pathways where people may trip over it.
- **DO NOT** cross the hose between outdoor fireplace table and the propane tank.
- Close the valve of the gas cylinder and the regulator after use.
- The use of this appliance in enclosed areas can be dangerous and is **PROHIBITED**.
- Change the gas cylinder in an amply ventilated area, away from any ignition source (candle, cigarettes, other flame producing appliances).

GAS (LPG) WARNINGS

- LP gas is flammable and hazardous if handled improperly. Please review the characteristics before using any LP gas product.

Propane Characteristics:

- Flammable, explosive under pressure, heavier than air, and settles in pools in low areas. In its natural state, propane has no odour. For your safety, an odorant is typically added. Contact with propane could burn the skin.
- **Propane is extremely flammable and hazardous if handled improperly.**

LP GAS WARNINGS:

- Cylinders must be stored outdoors in a well-ventilated area out of reach of children.
- Disconnected cylinders must have threaded valve plugs tightly installed and must not be in a building, garage or any other enclosed area.
- Dented or rusted propane cylinders may be hazardous and should be checked by your propane gas supplier.
- LP gas tank must be arranged for vapour withdrawal.
- The LP gas tank must have a tank collar to protect the tank valve.

Safety Warnings

- **NEVER** use an LP gas tank with a damaged body, valve, collar, or footing. Dented or rusted LP gas tanks may be hazardous and should be checked by your LP gas supplier prior to use.
- The LP gas tank should not be dropped or handled roughly.
- Tanks must be stored outdoors out of the reach of children. Do NOT store in a building, garage, or any other enclosed area.
- Never store your LP gas tank where temperatures can reach over 125°F.
- **DO NOT** store the LP gas cylinder in direct sunlight or near a source of heat or combustion.
- Never keep a filled LP gas tank in a hot car or car boot. Heat will cause the gas pressure to increase, which may open the relief valve and allow gas to escape.
- Place dust cap on valve outlet whenever the LP gas tank is not in use. Only install the type of dust cap on the LP gas tank valve outlet that is provided with the LP gas tank valve. Other types of caps or plugs may result in leakage of propane.
- **DO NOT** store a spare LP gas cylinder under or near this appliance.
- Never fill the LP gas cylinder beyond 80% full.
- If the information in this booklet is not followed exactly, a fire causing death or serious injury may occur.
- LP gas cylinders should be filled only by a certified LP gas dealer.
- the pressure regulator is set for 28-30mbar or 50mbar.
- Regulator outlet pressure is 28~30mbar or 50mbar.
- Never attempt to attach this appliance to the self-contained LP gas system of a camper trailer, motorhome or house.
- Always use the pressure regulator and hose assembly provided with the appliance to connect to a LP gas cylinder. Never connect to an unregulated LP gas supply.
- Contact your retailer's customer service department for replacement parts.
- Hand turn the manual gas control valve. Never use tools. If the valve will not turn by hand, do not try to repair it. Call a certified gas technician. The use of force or any self-attempted repair may result in a fire or explosion.
- Use only the type of gas and the type of LPG cylinder specified by the manufacturer.
- Appliance is fitted with gas regulator, flexible gas rubber pipe and clamps according to the National Rules in force of the country of destination.
- Appliance must use an approved gas regulator (approved for a working temperature not lower than 50°C) according to the EN Standard (see minimum, nominal and maximum pressure - gas regulator inlet and outlet connection according to the National Rules in force) and flexible gas hose according to EN Standard (with proper inner diameter according to gas inlet connection and National Rules in force) with a length

Safety Warnings

not over 1.5 m and approved for a working temperature not lower than 60 °C. When substitution will be necessary, you have to purchase suitable gas regulator, flexible gas rubber pipe and clamps from your local gas dealer; gas regulator should be substituted not over 10 years.

- Avoid twists and kinks in the flexible gas rubber pipe. **Never use a damaged gas regulator.**
- Never connect this appliance to an unregulated LPG source (gas regulator is mandatory to be used).
- When the appliance is not in use, turn the LPG cylinder in "OFF" position.
- Gas rubber pipe must be located in the LPG compartment carefully, avoiding any twisting.
- Never use a damaged gas regulator.
- The regulator should comply with EN 16129, and the hose should comply with EN 16436.
- Always perform a leakage test on gas connections whenever a LPG cylinder is connected. If bubbles form in the leakage test solution, do not use it. Never use a flame to test for leakages. **It is strictly forbidden and dangerous!**

Safety Warnings



Warning

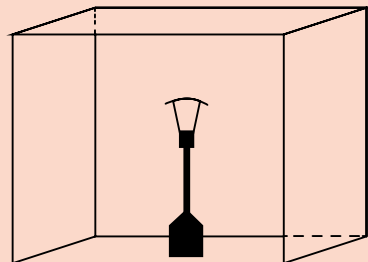
1. Do not obstruct the ventilation holes of the cylinder housing;
2. Close the gas supply at the valve of the gas cylinder or the regulator after use;
3. In the event of gas leakage, the appliance shall not be used or if alight, the gas supply shall be shut off and the appliance shall be investigated and rectified before it is used again;
4. Checking the tubing or the flexible hose (at least once per month and each time the cylinder is changed). If it shows signs of cracking, splitting or other deterioration it shall be exchanged for new hose of the same length and of the equivalent quality;
5. This appliance must be installed and the gas cylinder stored in accordance with the regulations in force;
6. Do not move the appliance when in operation;
7. Shut off the valve at the gas cylinder or the regulator before moving the appliance;
8. The tubing or the flexible hose must be changed within the prescribed intervals;
9. Use only the type of gas and the type of cylinder specified by the manufacturer;
10. In case of violent wind particular attention must be taken against tilting of the appliance;

This appliance should be used ONLY outdoors in a well-ventilated space and should NOT be used inside a building, garage, or any other enclosed area.


1) For use outdoors or in amply ventilated areas.

2) An amply ventilated area must have a minimum of 25% of the surface area open.

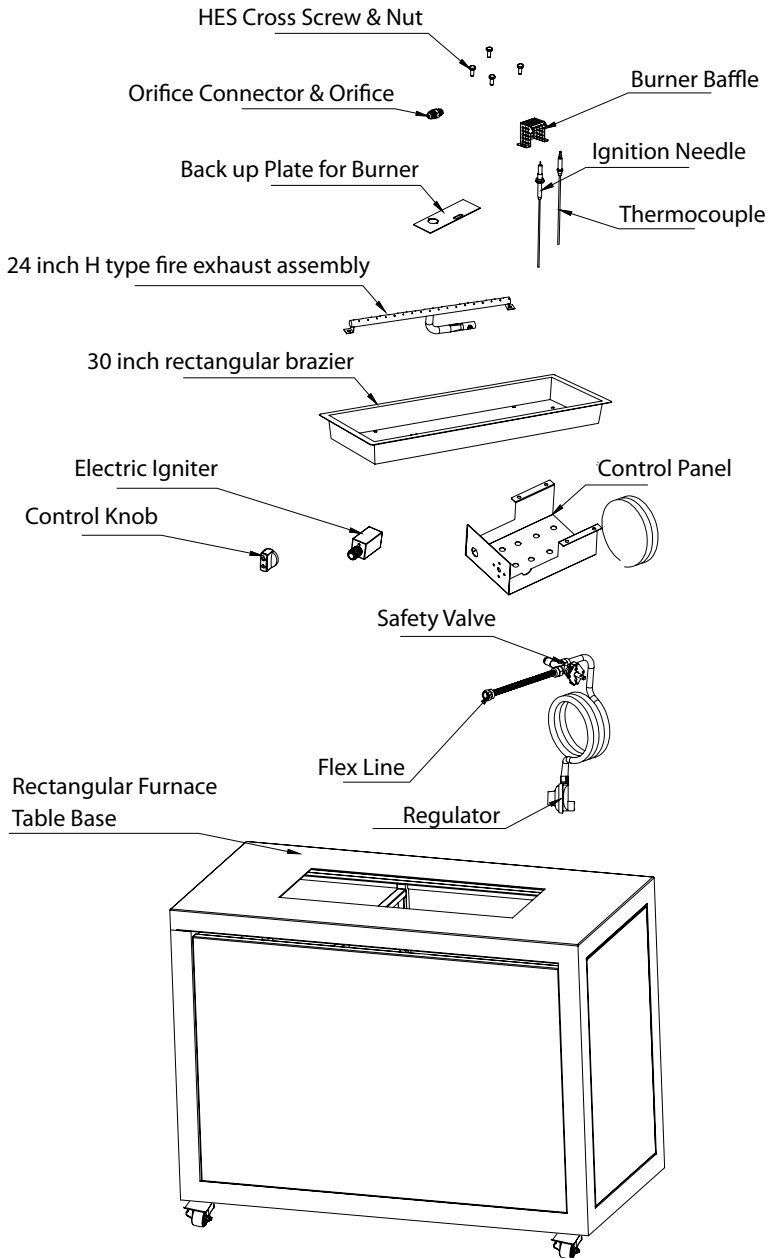
3) The surface area is the sum of the walls surface.



Technical Data

 0063/19 PIN NO:	Product Name: gas fireplace		
	Model No: 0393115-0200 , KLFP201, KLFP212 , KLFP211, KLFP213		
Appliance category	I3B/P(30)	I3+(28-30/37)	
Gas type/Gas Pressure	G30 Butane and G31 Propane at 30mbar	G30 Butane at 28-30mbar	G31Propane at 37mbar
Country	NL, BE <input type="checkbox"/>	GB <input checked="" type="checkbox"/>	
Heat input	12.5kW (G30: 910g/h, G31:893g/h)		
Injector Size	1.77mm		
Injector Marking	φ 1.77		
Maximum Gas Bottle Size Including Regulator: 390mm			

Technical Diagram - 0393115-0200



Installation

1. This Gas Fire Pit must be installed on flat, stable surface, away from any combustible materials or construction.
2. Remove the fire pit and cylinder from the carton. Place them on any level, non-combustible surface.
3. Place the pumice beads on the burner and around the burner evenly.
(see Fig 1)



Fig 1

4. Unscrew the button cap of igniter, insert AAA battery into igniter compartment with anode outward, then screw the button cap back in place (see Fig 2)



Fig 2

5. Open the door and take down the lid of cylinder cargo carefully and put it in the center of the tank bracket.
(See fig 6-7)
6. Locate the hose out of the pathways where people may trip over it or in areas where the hose may be subjected to accidental damage.

CAUTION: Do not kink the flexible gas hose. If it is kinked, a gas leak could occur.

Instruction for connecting gas circuit to LPG cylinder

Keep at hand suitable crossed screwdriver, adjustable spanners, pliers and wrenches. Before assembly, make sure all protection packing material has been removed. **Flexible gas hose(1763-1) and clamps (if necessary) are supplied with this appliance and must be used, in accordance with regulations.** The gas regulator has to be set according to specific gas category (see on page 2) and proper gas consumption (g/h) specification. The LPG cylinder should be standard one. Recommend to use 5 kg . Replacement must be that specified in "Gas Requirements" section of this Instruction Manual. Be careful: do not kink flexible gas rubber pipe of gas circuit. If pipe holder should not be provided, thread of the gas inlet connection will be in line with Standards ISO 7-1 or ISO 228-1, according to National Rules in force of the country of destination.

1. Make sure appliance gas knob is turned "OFF" (full disk) before assembling (*Fig 3*).



Fig 3

2. Put the LPG cylinder inside of the tank bracket, and tight the screw (*see Fig 4*)



Fig 4

Instruction for connecting gas circuit to LPG cylinder

3. Connect the regulator to LPG cylinder by hand. Push down until you hear a click. (see Fig 5)

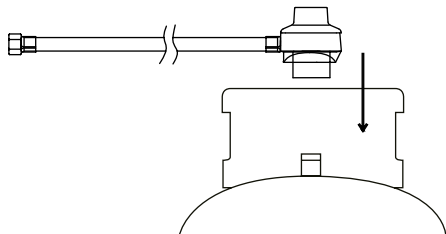


Fig 5

4. Connect the hose to the appliance and the regulator. Tighten the screw of the hose clamp with a screwdriver (see Fig 6). Check that the regulator seal is correctly fitted and able to fulfil its function.

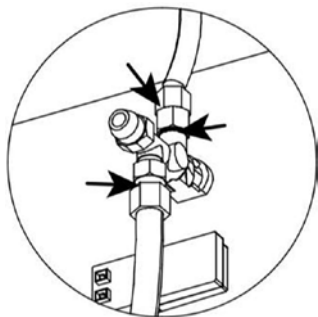
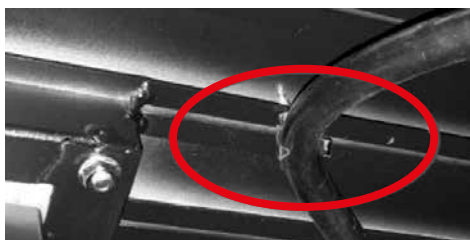
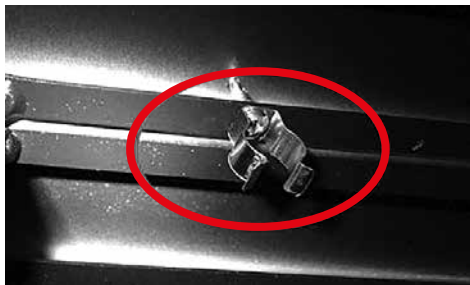


Fig 6

Note: For model KLFP213-0200. The hose must be fixed by the hose fixation clamp.



Operating Instructions

Lighting

1. Make sure the fireplace table is stable and in solid state.
2. Remove the protective cover.
3. Press the control button fully until you hear a slight ticking sound (this is the piezo ignition). If you hear nothing when pressing the ignition button, then you probably need to replace the battery.

Hold the control knob pushed in when you open the gas supply.

Turn the control knob to the right for gas supply.

The burner should now ignite within 15 seconds.

Once fully lit you can release the control knob and the fire pit table is ready for use.

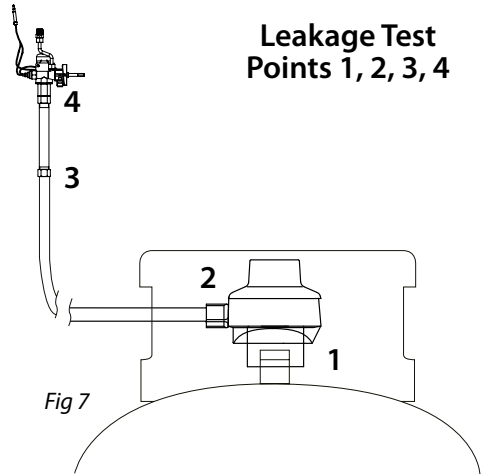
If the burner does not light, wait 5 minutes and repeat above procedure. If the burner partially lights, extinguish the flames, wait 5 minutes and try again but holding down the button for longer.

Leakage Testing

Never check for gas leakages with a flame or whilst smoking.

This appliance needs to be periodically checked for leakages and an immediate check is required if the smell of gas is detected.

- Make a soap solution using 1 part of liquid dish-washing soap to 3 parts water. The soap solution can be applied with a soap bottle, brush, or rag to the leakage tested points shown in the below diagram (*Fig 7*)



Leakage Test Points 1, 2, 3, 4

- The valve of the LPG cylinder should be in the "OFF" position at this point of the leakage test. Once the soapy solution is applied to the gas connections, the valve of the LPG cylinder needs to be turned to the "ON" position.
- Soap bubbles will begin to form in the soapy solution if any leakage is present.
- In the event of gas leakage, the appliance shall not be used or if alight, the gas supply shall be shut-off and the appliance shall be investigated and rectified before it is used again. Tighten any leaking fittings, then turn on gas supply and recheck.
- If necessary, substitute gasket (according to EN 549 Class B2) or material used to guarantee tightness (according to EN 751-1 Class I).

Maintenance & Cleaning

To enjoy years of outstanding performance from your appliance, regular service of the appliance is mandatory as follows:

- The appliance should be inspected at least one time a year by a qualified service engineer only. More frequent cleaning may be required according to the use of the appliance.
- Any guard or other protective device removed for servicing the appliance must be replaced before operating it.
- Keep exterior surfaces clean, free and clear from combustible materials.
- Use warm soapy water for cleaning. Never use flammable or corrosive cleaning agents.
- While washing your unit makes sure to **keep the area around the burner assembly dry at all times**. If the gas control is exposed to water in any way, **DO NOT** try to use it. It must be replaced.
- Burner and LPG compartment circulating air passageways of the appliance must be kept clean.
- Airflow must be unobstructed. Keep controls, burner and circulation air passageways clean. Signs of possible blockage include:
- If the flame is uneven, making popping noises or is burning yellow there is not ample oxygen getting to the flame. Extinguish the flames and ensure the burners or ventilation are not blocked and are free from dust or debris.
- Spiders and insects can nest in burner or orifices. This dangerous condition can damage the appliance and render it unsafe for use. Clean burner holes by using a

heavy duty pipe cleaner. Compressed air may help clear away smaller particles.

- Carbon deposits may create a fire hazard. If any carbon deposits develop, clean fire pan with warm soapy water.
- After the burner and lava rocks are completely cooled down, remove it from the bowl and use a soft brush to remove any marks, loose dirt. Wipe with a soft cloth.
- Clean the bowl and afterward put lava rocks again in proper position.
- For proper cleaning, a vacuum cleaner can be used.

Note: In a salt-air environment (such as near the sea), corrosion occurs more quickly than normal. Frequently check the corroded areas and repair them promptly. Stubborn stains, discoloration and possibly rust pitting can occur from exposure to harsh outdoor conditions. Be careful not to let any powder or solvent come in contact with painted or plastic components as damage may occur.

After long use, some discoloration can come up and it screen is normal.

Make sure both gas supplies are in the off position before changing the battery. Please refer to the process of assembling battery.

Please contact the Manufacturer or dealer for information regarding replacement hoses, thermocouples, igniters, lava rocks, etc.

Attention: Never use unauthorized parts or component for this appliance.

Use only original equipment replacement spare parts and components.

Failure to comply with the above may result in hazardous conditions and your warranty being void.

Troubleshooting

Problem:	Condition:	Solution suggested:
Burner won't light	Control knob is not in Maximum position (big flame).	Turn the control knob to the maximum position (big flame).
	LPG cylinder valve is closed / Empty.	Open the valve / Replace LPG cylinder with a new one.
	Blockage in the injector.	Clean or replace injector.
	Air in the gas circuit.	Open gas line and bleed it (pressing control knob in) for not over 1 minute or until you smell gas.
	Low gas pressure.	Replace LPG cylinder with a new one.
	Igniter fails.	Use match to light burner; change battery or obtain new igniter and replace it.
Burner won't stay lit	Dirt build up around burner.	Clean dirt around the burner.
	Low flames or not full running around the burner.	Flame spreader holes partially closed; clean the burner.
	Thermocouple is not operating correctly.	Replace thermocouple (FSD).
	Low Gas pressure.	Replace LPG cylinder with a new one.
Burner flame is low Note: Do not operate appliance below 5 °C	Outdoor temperature is greater than 5 °C and LPG cylinder is less than 25 % full.	Replace LPG cylinder with a new one.
	Gas pipe is bent or kinked.	Straighten hose and perform leakage test on gas pipe.
	Control knob is fully Maximum position (big flame).	Turn control knob to "OFF" position (full disk), let cool to room temperature and check burner and orifices for blockage.

Troubleshooting / Storage

Problem:	Condition:	Solution suggested:
Carbon build-up	Dirty or film on burner.	Clean burner.
Flash back (flame inside burner)	Burner ports are blocked.	Switch OFF the appliance. Close LPG cylinder valve. Wait 2 minutes, following the ignition procedure. Ignite burner. If problem continuous, switch-off. Contact your dealer
Thick black smoke	Blockage in the burner.	Turn control knob to "OFF" position, let the appliance to cool at room temperature and remove blockage and clean burner inside and outside.

If you can not solve the trouble according to one of the mentioned solutions, please contact us via our website: www.kettler.co.uk or contact your dealer or Distributor.

Storage

- Turn control knob to "OFF" position (full disk).
- Turn LPG cylinder to "OFF" position.
- Store the appliance in a cool dry place away from direct sunlight; store it upright in an area sheltered from direct contact with inclement weather (such as rain, sleet, hail, snow, dust and debris). If desired, cover to protect exterior surfaces and to prevent build up in air passages.
- During periods of extended inactivity or when transporting: ensure the control knob is turned to the "off" position. Disconnect LPG cylinder and move to a secure, well ventilated location outdoors. DO NOT store above 50 °C.
- **Note: Ensure the appliance is cool before covering.**

KETTLER



www.kettler.co.uk

KETTLER

3 Year
Warranty

Warranty For Home Use

This product is covered by a 3 year warranty against manufacturing faults. This warranty applies to domestic use only. It does not cover commercial use, mis-use or accidental damage.

To validate your warranty, register at www.kettler.co.uk and quote the product code from the front of this booklet.