

KETTLER

elba Grande Casual Dining Bio-ethanol Table

0393165-0200



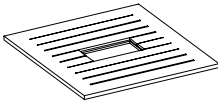
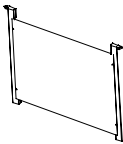
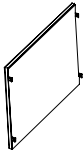

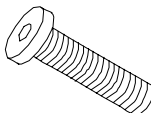
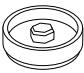



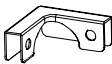

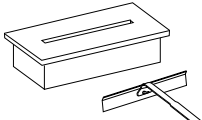
IMPORTANT

PLEASE KEEP THIS BOOKLET FOR FUTURE REFERENCE.
THIS IS IMPORTANT INFORMATION REGARDING THE USE AND
CARE OF YOUR GARDEN FURNITURE.



PERSONS
REQUIRED

Parts List

<p>(A) Table Top</p>  <p>x1</p>	<p>(B) Table Leg</p>  <p>x2</p>	<p>(C) Panel</p>  <p>x2</p>	<p>(D) Washer</p>  <p>x12</p>
<p>(E) Bolt M6x20mm</p>  <p>x12</p>	<p>(F) Bolt Cover</p>  <p>x12</p>	<p>(G) Allen Key</p>  <p>x1</p>	<p>(H) Glass flame guard</p>  <p>x2</p>
<p>(I) Glass flame guard</p>  <p>x2</p>	<p>(J) Bracket</p>  <p>x8</p>	<p>(K) Grub Screw</p>  <p>x16</p>	<p>(L) Ethanol Burner</p>  <p>x1</p>



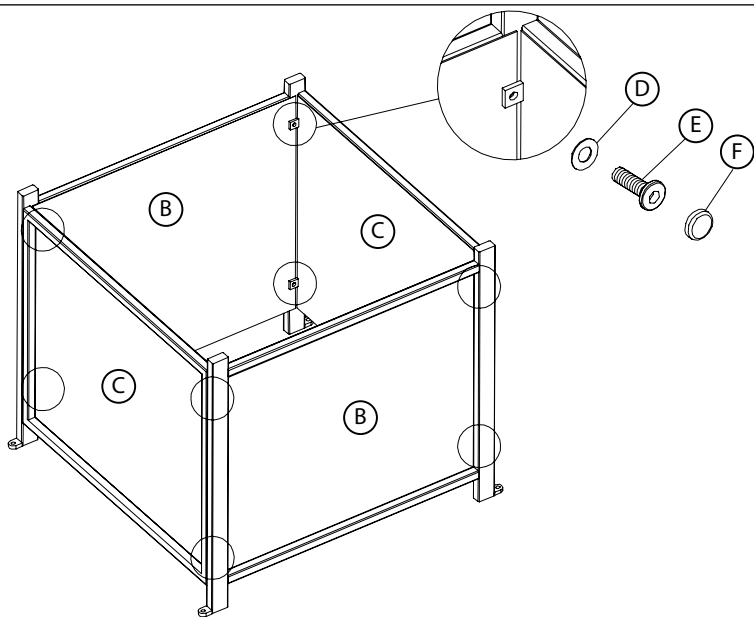
Do not discard any of the packaging until you have checked that you have all the parts and the pack of fixings.

Helpful advice before you begin:

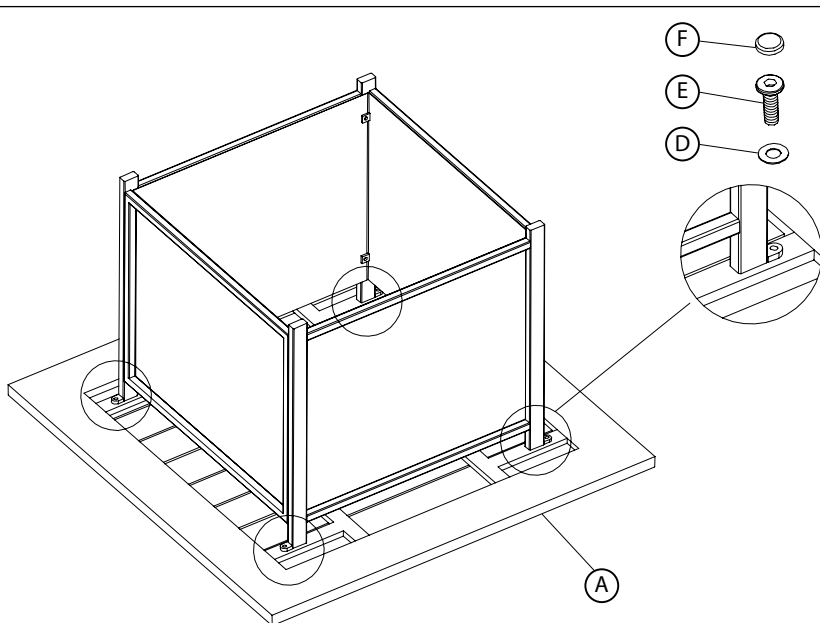
1. We suggest you spend a short time reading through this leaflet and then follow the simple step by step instructions.
2. Do not discard any of the packaging until you have checked that you have all the parts and the pack of fittings.
3. Assemble this product on a soft surface.
4. To ensure an easier assembly, we strongly advise that all fittings are only finger tightened during initial assembly. Only upon completion of the assembly should all fixing points be fully tightened.
5. Keep fittings out of children's reach.
6. Do not use any other tools other than those recommended to build this product.
7. Please do not use substitute parts. Use only additional or replacement parts supplied by Kettler.
8. In the unlikely event that this product has missing or damaged parts, please visit our website www.kettler.co.uk

Assembly

1

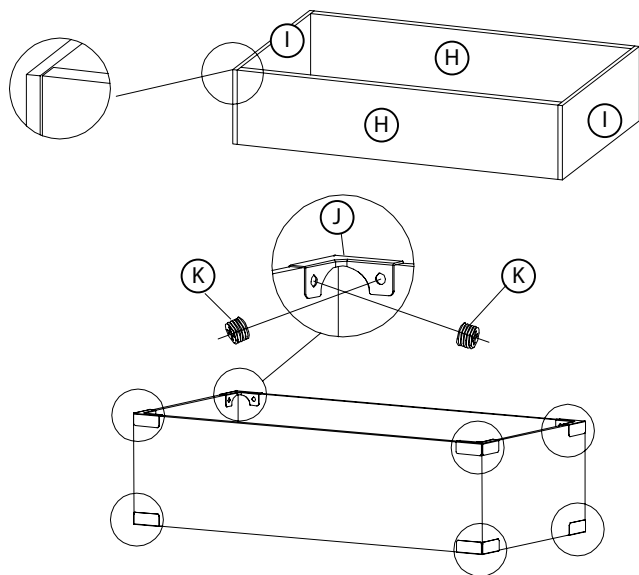


2

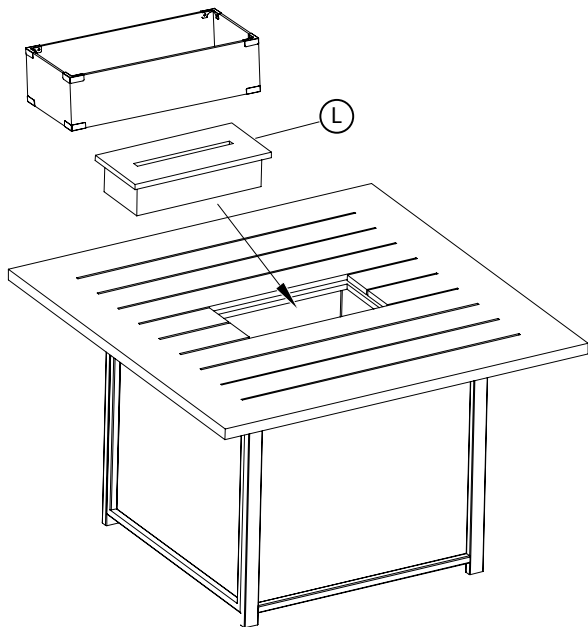


Assembly

3



4



Finished



Safety Warnings

- Ensure all packing materials are removed prior to use e.g cardboard etc. Do not operate the burner until fully assembled.
- The material provided is ceramic fibre cotton and should be placed in the bottom of the burner reservoir. Its main purpose is to hold the fuel, slow down evaporation and give an even burn.
- Do not place any flammable material within 1 metre/40 inches around the burner. Protect the burner against drafts / wind by using the flame guard. Never use the appliance in areas where flammable vapours or gas may be present.
- The burner is intended to be placed on an even surface.
- The burner is designed for outdoor use only where there is good ventilation.
- Do not operate the burner under over hanging items.
- Due to high surface temperatures, keep children and clothing away.
- People with breathing problems should consult a doctor before using the burner in confined spaces.
- Ensure before using there is no debris in the burner (leaves, water etc).
- Never use any fuel other than Bio Ethanol that is specifically intended for use bio-ethanol burners.
- Never store or transport the fuel in other than a metal or plastic container that is acceptable for use with the specified fuel in accordance with the Consumer Chemicals and Containers Regulations 2001 and is the original container for the specified fuel.
- Never store fuel in the living space or in the same location as the burner.
- Do not smoke while handling the fuel.
- The burner is not designed to be a primary heat source. Do not use the burner to heat or boil water or use as a cooking appliance.
- Do not obstruct the burner in any way.
- **Always use the glass surround when the burner is in use.**
- The burner gets hot while in operation. Do not touch the burner while burning. Please allow at least 30 minutes to cool down before touching the product after flame is extinguished.
- **Do not fill fuel into an open flame or into the burner reservoir unless it has cooled down for at least 30 minutes after use.**
- **Before re-fuelling/re-igniting, ensure you cover and leave for 30 minutes.**
- Either cover the burner or store indoors to avoid water, leaves, and debris from getting into it.

Operating Instructions

1. Use a funnel to evenly pour the bio-ethanol liquid (recommended 1-3 litres) into the burner reservoir ensuring the ceramic fibre cotton is doused. Its main purpose is to hold the fuel, slow down evaporation and give an even burn. Ensure any spills are wiped up immediately and the reservoir not over-filled.
2. Ignite with caution using a long-handled ignitor/rod.
3. The heat output is approx. 2kw. Please note the flame is not adjustable.
4. Dependent on conditions, the burn time is approx. 2-3 hours.
5. To extinguish the burner, simply put the dampening cover on.
6. **Leave for a minimum of 30 minutes before re-fuelling or re-igniting.**

Maintenance and Care Instructions

- This product may only be used for its intended purpose for residential premises. Any other uses may affect the warranty.
- Kettler furniture is designed to be left outdoors all year round (excluding cushions).

We recommend to maintain and lengthen the life of this product you follow the below regime:

On wood areas:

1. Ensure the product is clean. If the product is clean you can go straight to stage 2. Cleaner is only required if it hasn't been treated for 6-12 months.

Use Hardwood cleaner: First moisten the wood with water. Apply the HARDWOOD CLEANER with a soft cloth or sponge. Allow to soak for 3 minutes. Brush the furniture clean with a scrubbing pad in the direction of the grain. Rinse furniture well with water.

We recommended that you treat your teak furniture with Hardwood cleaner when required.

2. Use Instant Grey Protector for elba: Apply a thin layer of Instant Grey Protector with a soft cloth. Allow to dry for 1 hour and then the wood has turned driftwood-grey. (If you wish to have a more intense grey colour, apply a second thin layer).

We recommended that you treat your teak furniture with Instant Grey Protector twice a year April & October.

3. Hardwood Shield on teak: Apply carefully by dabbing (rubbing damages the grey patina). Make sure the Hardwood is 100% dry and free of dust. Apply a thin layer of HARDWOOD SHIELD with a soft cloth. Allow to dry for one hour and then apply a second thin coat of HARDWOOD SHIELD. Let the wood dry for 48 hours before exposure to moisture and rain.
We recommended that you treat your teak furniture with HARDWOOD SHIELD twice a year April & October.

On aluminium parts:

We recommend the Kettler Multi-surface cleaner when necessary.

The Kettler after-care range available is available to purchase from the Kettler website.

Tree sap and bird droppings should be cleaned off immediately.

- Moving parts such as locking mechanisms, catches and joints need to be lubricated where necessary.
- Kettler furniture can be covered – we recommend that you use Kettler tailored covers (where available) or universal breathable covers.
- This product is 100% recyclable. At the end of the products life, please dispose of responsibly.
- Colours may vary slightly.



Attention

Please be aware that painted/varnished surfaces can be damaged by sunscreens and oil based products. If the surface of your Kettler leisure furniture comes into contact with sunscreens, the surface is to be cleaned without delay as described above. Only in this way can lasting discolouration of the surface by the ingredients of the sunscreen be prevented.

For Your Safety

- This product may only be used for its intended purpose as furniture for residential properties.
- Check all components regularly for correct function, damage and loose connections especially at the start of the season and at 1-2 month intervals dependent on use.
- Damaged components may endanger your safety or shorten the life of the product. Replace all damaged parts immediately. Use only spare parts manufactured by Kettler. Should you wish to purchase spare parts, they can be ordered directly from: **www.kettler.co.uk/shop**
- Kettler will not be responsible for damaged caused by improper use.



Attention

- Whilst assembling this product keep out of the reach of children. (Choking hazard – contains small parts).
- Ensure that your working area is free of possible sources of danger, for example don't leave any tools lying around.
- Always dispose of packaging material in such a way that it may not cause any danger. There is always a risk of suffocation if children play with plastic bags!
- We reserve the right to make changes for technical reasons.

KETTLER



Warranty For Home Use

This product is covered by a 3 year warranty against manufacturing faults. This warranty applies to domestic use only. It does not cover commercial use, mis-use or accidental damage.

To validate your warranty, register at **www.kettler.co.uk** and quote the product code from the front of this booklet.



www.kettler.co.uk