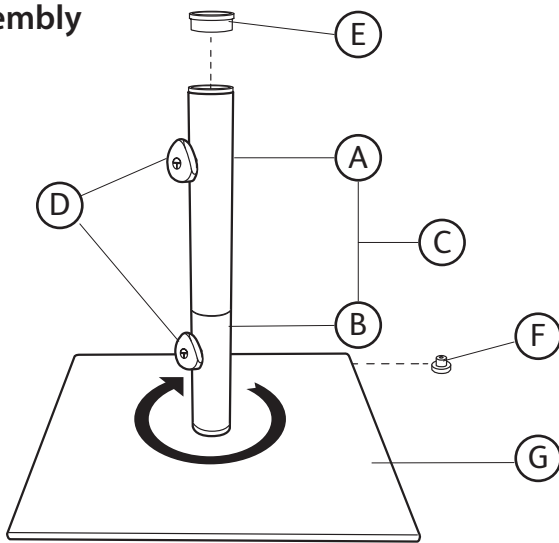


KETTLER PB16/PB32 Series Parasol Base

Assembly



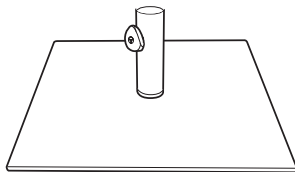
Turn the stem (C) clockwise until full tightened

Check List

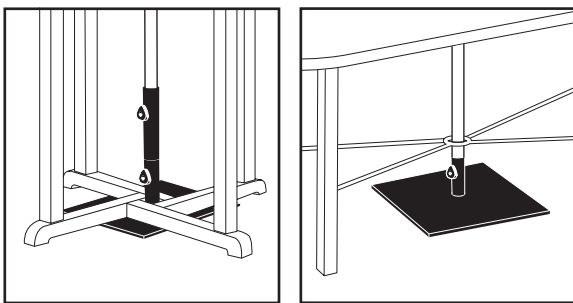
Item	Description	Quantity
A	Upper Stem	1
B	Lower Stem	1
C	Full Stem	1
D	Knobs	2
E	Reducer (PB 32)	1
F	Feet	4
G	Base	1

Note

NOT recommended for free-standing parasol applications.



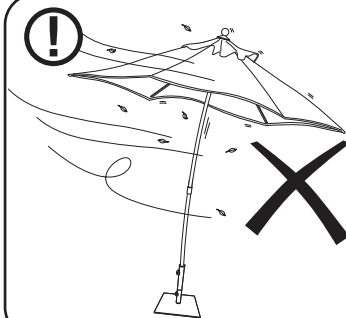
Remove dual-purpose stem for under table use



Steel base for under the table use

Helpful advice before you begin:

1. We suggest you spend a short time reading through this leaflet and then follow the simple step by step instructions.
2. Do not discard any of the packaging until you have checked that you have all the parts and the pack of fittings.
3. Assemble this product on a soft surface.
4. Keep fittings out of children's reach.
5. Do not use any other tools other than those recommended to build this product.
6. Please do not use substitute parts. Use only additional or replacement parts supplied by Kettler.
7. In the unlikely event that this product has missing or damaged parts, please visit our website www.kettler.co.uk



Important

The parasol should be closed and the top section removed during windy weather. Failure to do this may result in damage to the parasol.



Warranty For Home Use



KETTLER furniture is covered by a 3 YEAR ANTI RUST WARRANTY against rust causing failure.

The warranty applies to domestic use only. If the product is damaged or chipped, rust may occur, and will not be covered by this warranty. If a product is accidentally damaged you can obtain touch up paint from our website www.kettler.co.uk

No warranty claims can be accepted without a valid proof of purchase.

