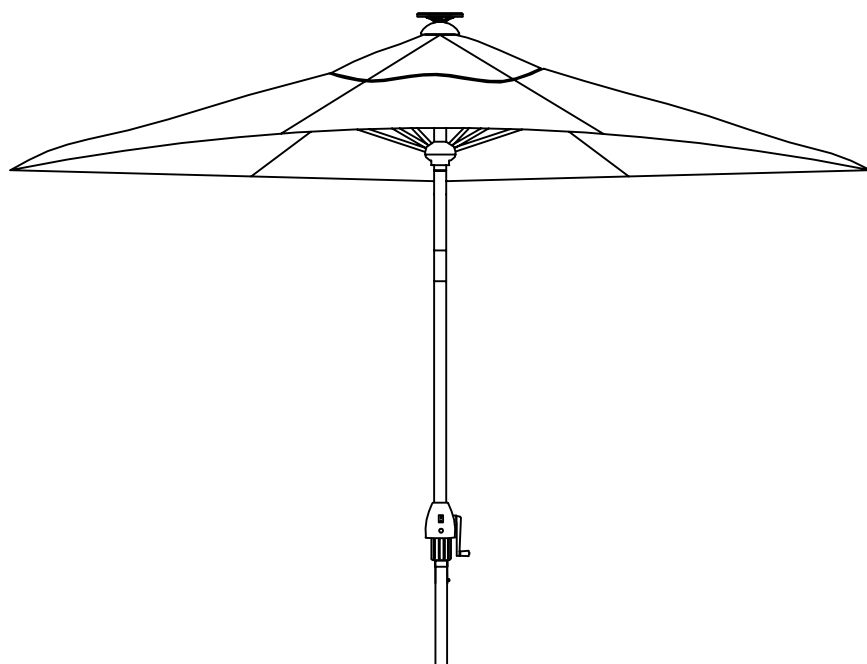


KETTLER

3.0m Wind-Up Parasol

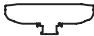

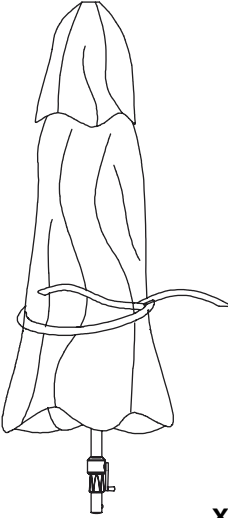

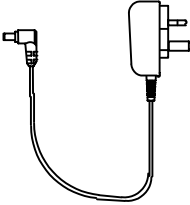

PWS30



IMPORTANT

PLEASE KEEP THIS BOOKLET FOR FUTURE REFERENCE.
THIS IS IMPORTANT INFORMATION REGARDING THE USE AND
CARE OF YOUR GARDEN FURNITURE.

Parts List

<p>(A) Solar Panel</p>  <p>x1</p>	<p>(B) Finial with cap, battery included</p>  <p>x1</p>	<p>(C) Parasol frame & canopy</p>  <p>x1</p>
<p>(D) Lower Pole</p>  <p>x1</p>	<p>(E) AC Adapter</p>  <p>x1</p>	
<p> Do not discard any of the packaging until you have checked that you have all the parts and the pack of fixings.</p>		

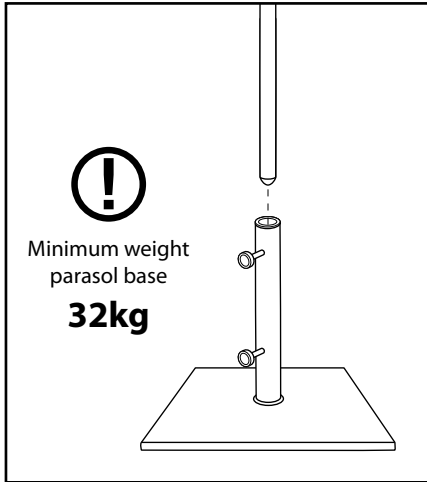
Helpful advice before you begin:

1. We suggest you spend a short time reading through this leaflet and then follow the simple step by step instructions.
2. Do not discard any of the packaging until you have checked that you have all the parts and the pack of fittings.
3. Assemble this product on a soft surface.
4. To ensure an easier assembly, we strongly advise that all fittings are only finger tightened during initial assembly. Only upon completion of the assembly should all fixing points be fully tightened.
5. Keep fittings out of children's reach.
6. Do not use any other tools other than those recommended to build this product.
7. Please do not use substitute parts. Use only additional or replacement parts supplied by Kettler.
8. In the unlikely event that this product has missing or damaged parts, please visit our website www.kettler.co.uk

Assembly

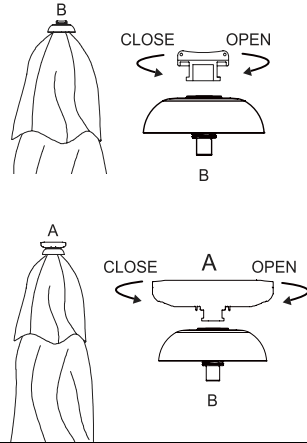
Before Assembly

Insert lower pole (A) into a suitable parasol base (not included).



Step 1

Remove the cap on the finial (B) and connect with the solar panel (A), then attach them to the parasol. Keep the cap for future use.



Step 2

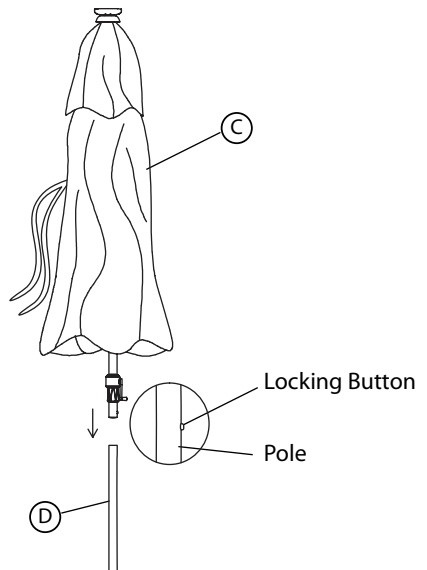
Insert the lower pole into the upper pole housing and lock into place

The batteries will be fully charged after 8 hours of sunlight or 5-6 hours using the AC adapter.

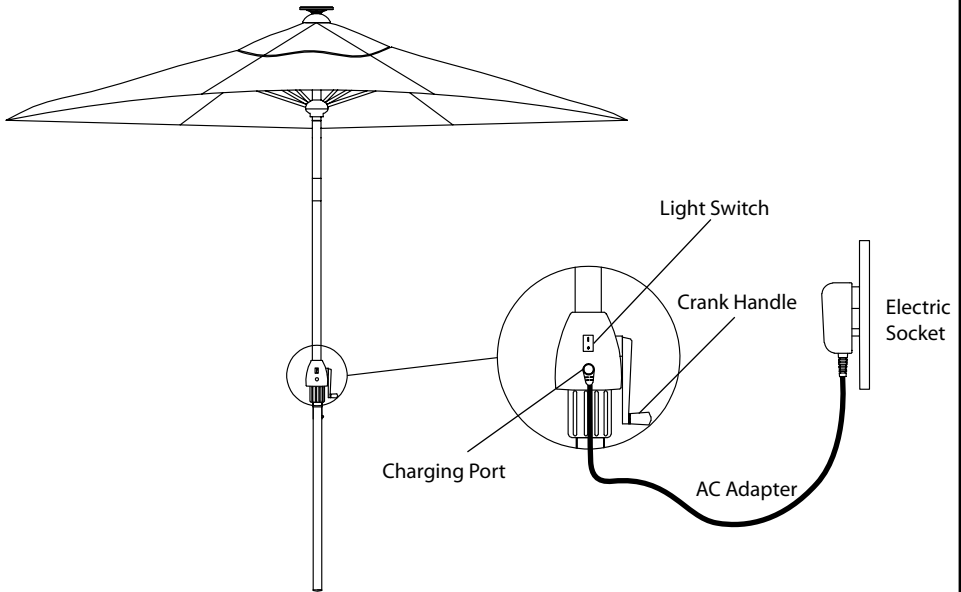
MAKE SURE THE LED LIGHTS ARE OFF FOR THE SOLAR PANEL TO RECHARGE THE BATTERY.

CAUTION: You must charge the battery before use.

Please note that the battery can discharge if it is left unused or uncharged for a long period of time. Failure to charge the battery will result in premature dimming or the lights on your solar parasol.



Operating Instructions



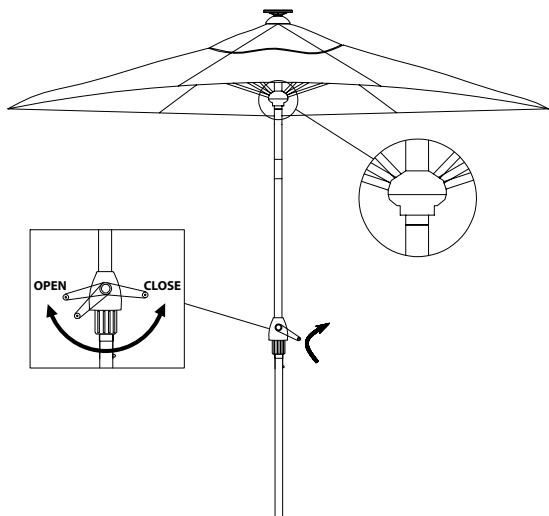
Step 3

Before opening your parasol, gently pull apart and separate the ribs into their natural open position.

Turn the crank handle clockwise and continue to turn until the hub has reached the stop ring. At that time, the parasol is fully open and ready for use.

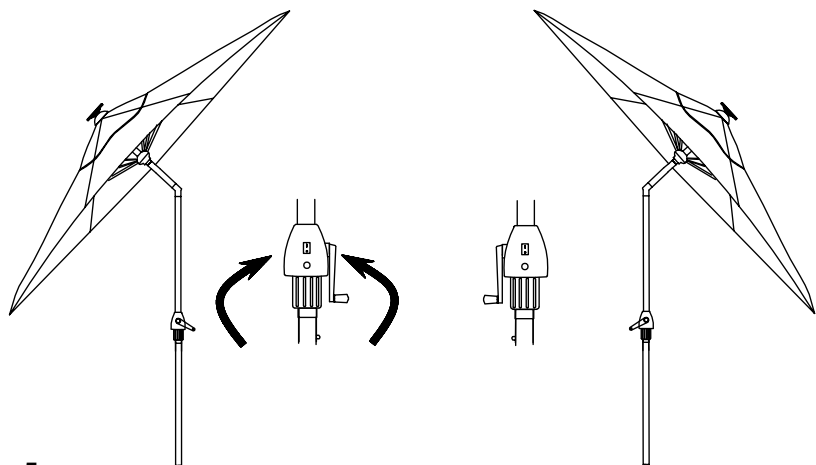
For everyday, normal use, turn the light switch on at night when you want to use the solar light and turn the light switch off after use.

Operating Instructions



Step 4

Keep turning the crank to tilt the parasol after it is fully open.

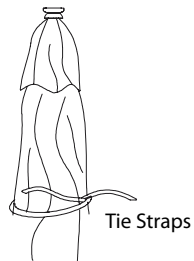
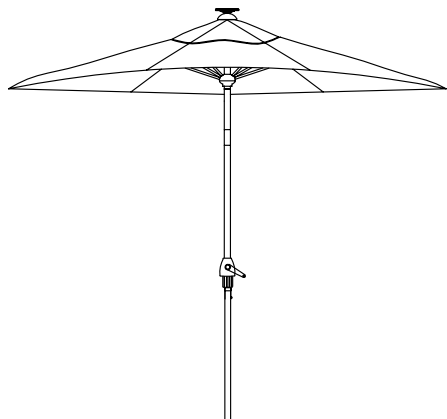


Step 5

Pull down and turn the collar in order to easily rotate the parasol 360 degrees. Stop at the desired position, release collar and the parasol firmly locks in place.

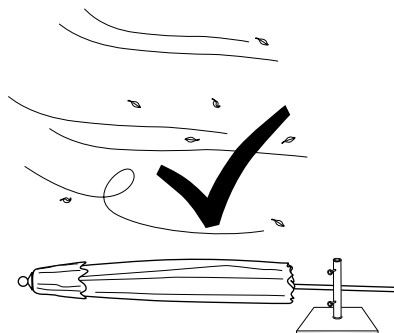
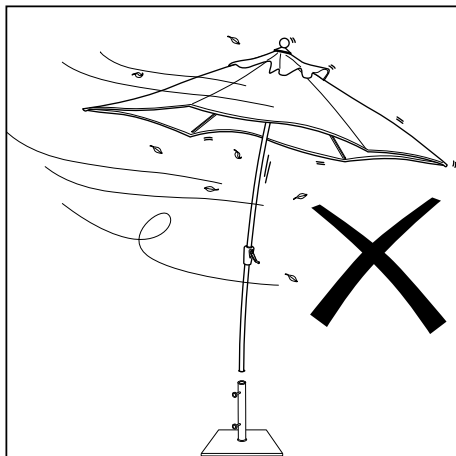
CAUTION: Make sure the parasol is fully tilted. If left in a half tilted position, any wind will bring the parasol back to upright position.

Operating Instructions



Step 6

Turn off the switch, turn the crank handle anti-clockwise until the parasol is fully closed. Use tie straps to secure parasol canopy.

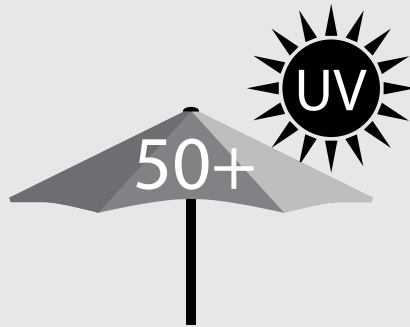


The parasol should be closed and the top section removed during windy weather. Failure to do this may result in damage to the parasol.

Operating Instructions

Note:

- The finial (B) contains 2 x lithium batteries (2 x 2200mAh). To charge the batteries using the solar panel, press the switch to the off position during daylight. Charging time depends on the amount of sunlight; however, at least 8 hours is recommended.
- To charge batteries with the AC Adapter, remove the cap on the charging port, connect with the end of the AC adapter and then screw together. Charging time is approximately 5 - 6 hours.
- The AC adapter can be used both indoors and outdoors, while the outdoor plug needs to be covered to prevent water entering when it is in use.
- If the parasol is stored in a box the solar panel and finial must be removed to avoid damage.
- This device complies with Part 15 of the FCC Rules. Operation is subject to the following two conditions: (1) This device may not cause harmful interference, (2) this device must accept any interference received, including interference that may cause undesired operation.



This parasol has UV50+ protection. What does that mean?

For example, a fabric with a UPF rating of 50 only allows 1/50th of the sun's UV radiation to pass through it. This means that this fabric will reduce your skin's UV radiation exposure by 50 times (98% UV block).

Hand wash canopy

The canopy can be carefully removed and washed via hand only. We advise putting back onto the frame to dry naturally.

For Your Safety

- This product may only be used for its intended purpose as furniture for residential properties.
- Check all components regularly for correct function, damage and loose connections especially at the start of the season and at 1-2 month intervals dependent on use.
- Damaged components may endanger your safety or shorten the life of the product. Replace all damaged parts immediately. Use only spare parts manufactured by Kettler. Should you wish to purchase spare parts, they can be ordered directly from: www.kettler.co.uk/shop
- Kettler will not be responsible for damaged caused by improper use.



Attention

- Whilst assembling this product keep out of the reach of children. (Choking hazard – contains small parts)
- Ensure that your working area is free of possible sources of danger, for example don't leave any tools lying around.
- Always dispose of packaging material in such a way that it may not cause any danger. There is always a risk of suffocation if children play with plastic bags!
- We reserve the right to make changes for technical reasons.

KETTLER



www.kettler.co.uk



The symbol indicates that the product should not be discarded as unsorted waste but must be sent to separate collection facilities for recovery and recycling.



Warranty For Home Use

KETTLER parasols are covered by a
12 MONTH WARRANTY.

The warranty applies to domestic use only. If the product is damaged or chipped, rust may occur, and will not be covered by this warranty. If a product is accidentally damaged you can obtain touch up paint from our website www.kettler.co.uk

To validate your warranty, register at www.kettler.co.uk and quote the product code from the front of this booklet.